

# Volume Control Damper

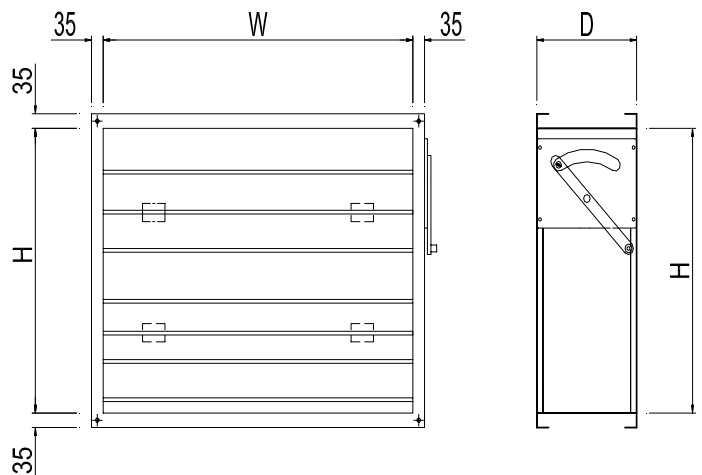
## Feature

- Blades and frame are constructed with high quality corrosion resistant galvanized steel.
- Opposed blade action is standard.
- Damper height exceeding 300mm supplied in multiple blades.
- Length of damper blade exceeding 1200mm shall complete with intermediate mullion.
- Manual lever/handle is provided for damper's blade adjustment.
- Attach lockable quadrant for indicate damper opening angle and fix the blade position after air balancing.
- Standard depth of damper is 210mm.

## Option

- Aerofoil blades available upon request. (Low airflow resistance and noise level)
- SUS is available upon request.
- Additional angle flanges x 2 with matching holes to VCD to be fixed to the dust and connected to VCD.

## Model: VCD-M



## Model: RVCD-M

