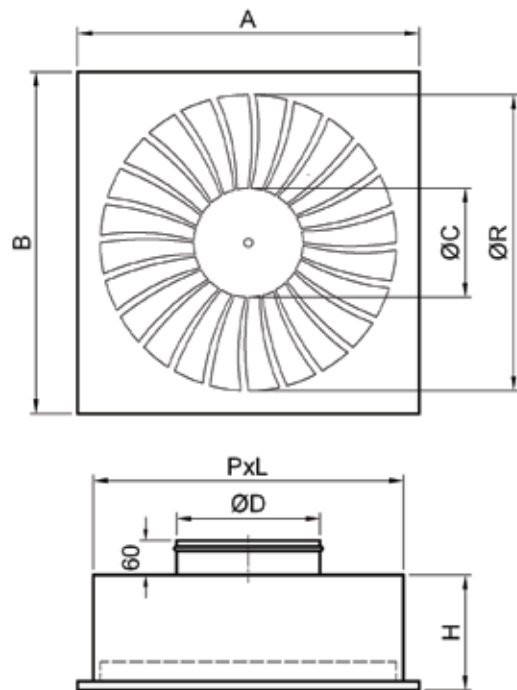
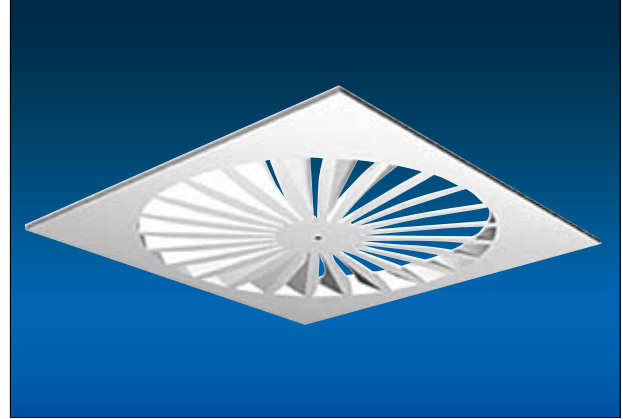


SWIRL DIFFUSER

FEATURES

- KYODO series SW-2 swirl diffuser is a type of diffuser with fixed radially arranged air control blades.
- It provides high induction vortex air flow projecting horizontally from the face of diffuser.
- This swirling air flow produce a diffuse air distribution, with no stationary air jet resulting excellent uniformity of temperature in air conditioned space.
- Can also be used as a return and exhaust type device.
- Constructed of aluminium or galvanized steel.

MODEL: SW-2



FINISH

Standard finish in baked white enamel.

Other colours are available on request.

ACCESSORIES

- Radial blade volume damper (SED II).
- Plenum Box.

DIMENSIONS

SIZE	A	B	R	C	P	L	H	D
300	595	595	Φ250	Φ90	280	280	200	Φ150
400	595	595	Φ330	Φ130	364	364	200	Φ200
500	595	595	Φ433	Φ150	462	462	200	Φ200
600	595	595	Φ535	Φ180	559	559	200	Φ250
625	595	595	Φ535	Φ180	559	559	200	Φ250

SW-2 - 1



KYODO reserves the right to make changes without written notice. The actual product might differ from pictures shown. Drawings are not meant to show exact details of every aspects of the product.

TECHNICAL PERFORMANCE DATA

MODEL: SW-2

SIZE	Neck Velocity (m/s)	2.0	2.5	3.0	3.5	4.0	4.5	5.0	6.0
300	Air Volume CMH	130	160	190	225	255	290	320	385
	Throw (m)	0.6	0.7	0.8	1.0	1.1	1.3	1.4	1.6
	S.P. (Pa)	8	11	17	22	26	34	45	53
	NC	<20	<20	20	26	33	36	40	45
400	Air Volume CMH	230	285	340	395	455	510	565	680
	Throw (m)	0.7	0.9	1.1	1.3	1.4	1.6	1.8	1.9
	S.P. (Pa)	7	11	13	17	24	30	36	50
	NC	<20	20	23	29	33	37	39	44
500	Air Volume CMH	230	285	340	395	455	510	565	680
	Throw (m)	0.6	0.8	0.9	1.0	1.2	1.3	1.4	1.7
	S.P. (Pa)	5	8	10	14	17	21	26	38
	NC	<20	<20	<20	23	25	28	30	35
600/625	Air Volume CMH	355	445	530	620	710	795	885	1060
	Throw (m)	0.7	0.9	1.2	1.4	1.6	1.8	1.9	2.1
	S.P. (Pa)	7	10	15	20	25	31	38	50
	NC	<20	20	24	28	32	37	41	46

- NC - Based on room absorption of 10dB, re 10⁻¹² watts.
- SP - Static Pressure drops are in Pascals.
- Throw - Throw at 0.5m/s terminal velocity in metres.