

FLUORESCENT LIGHT TROFFER DIFFUSERS

SUPPLY SINGLE SIDE OR DOUBLE (SADDLE)

These diffusers attach quickly and easily to standard air handling fluorescent light troffers. Lighting and air distribution are provided through a single ceiling penetration. The air opening is an inconspicuous slot at the edge of the light troffer.

Each order is carefully checked to make sure the diffuser will fit the troffers.

FEATURES

- For regressed slot troffers.
- Diffusers are available in both saddle (double side) and single side types.
- Choice of top inlet or side inlet, in various duct sizes.
- Choice of internally or externally insulated, or uninsulated construction.
- Material is EG steel.

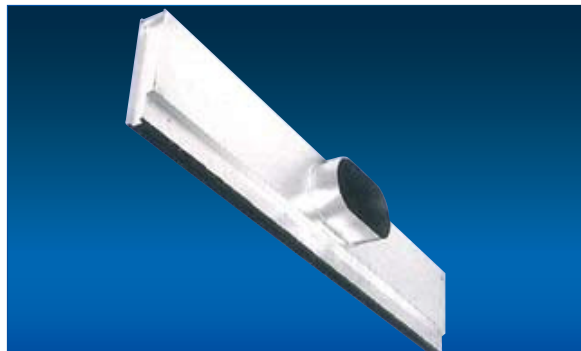
STANDARD FINISH

Mild EG Steel finish as standard

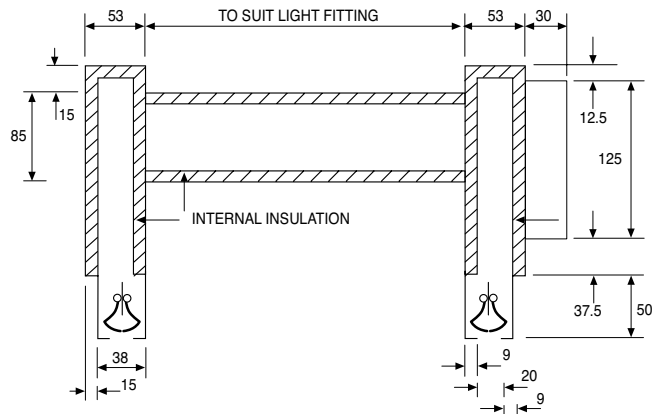
MODEL: SALT



24 SALT (Saddle)



14 SALT (Single Side)



**AIR LIGHT TROFFER
MODEL: 24 SALT**

TECHNICAL PERFORMANCE DATA

MODEL: SALT

14 SALT . SINGLE SIDE . FOR LIGHT TROFFER 1200 MM LONG

HORIZONTAL DISCHARGE	AIR FLOW (ℓ/s)	40	50	60	70	80
	SP	32	53	70	92	115
	NR	21	28	32	37	40
	THROW (M)	3.3	4.0	>4.7	>4.7	>4.7

24 SALT . DOUBLE SIDE (SADDLE) . FOR LIGHT TROFFER 1200 MM LONG

HORIZONTAL DISCHARGE	AIR FLOW (ℓ/s)	60	70	80	100	120	140	160
	SP	10	13.5	16.5	26	35	47.5	64.5
	NR	—	<13	21	27	32	35	38
	THROW (M)	1.0	1.5	1.9	2.5	3.0	3.5	4.2

- Result of performance is tested under NATA
- Test set-up was in general accordance with ADC equipment test code 1062: GRD-84
- SP – Static Pressure drops are in Pascals
- NR – Noise rating in dB re 10⁻¹² watts. Room correction of -10dB
- CAP – Capacity of flow in litre per second
- Throw – Throw at 0.5m/s Terminal Velocity in metres