

SPOT LOUVRE/PUNKAH LOUVRE

FEATURES

- Nozzle type outlet is most suitable for spot cooling because its direction and volume of air can be adjusted easily to suit one's requirement.
- They are recommended in aircraft, electrical or electronic plants and telephone exchange.
- Constructed of aluminium alloy.

FINISH

Standard finish in natural anodizing.
Other colours in baked enamel are available on request.

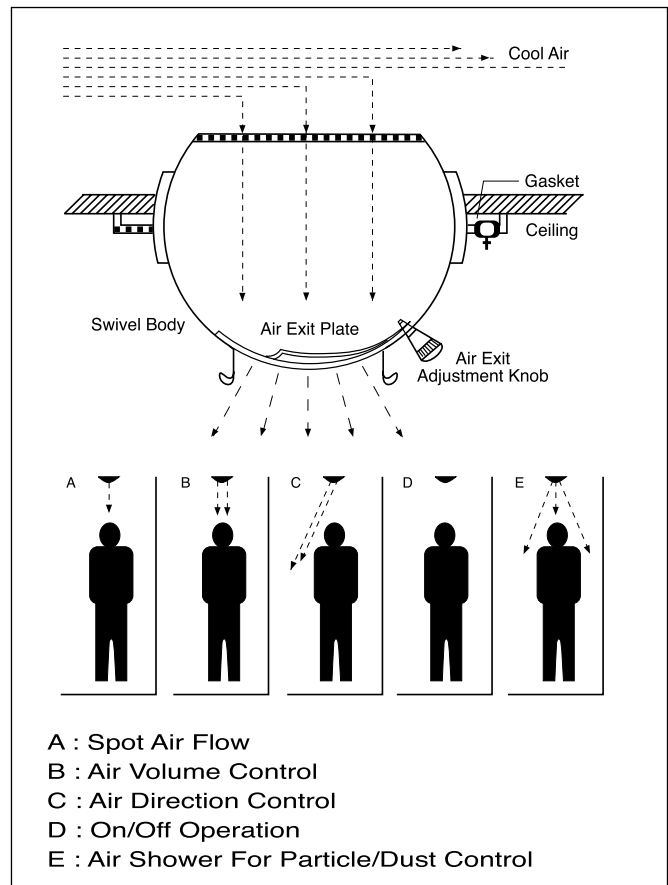
ORDER KEY

PK

MODEL: PK



SPECIFICATION DRAWINGS



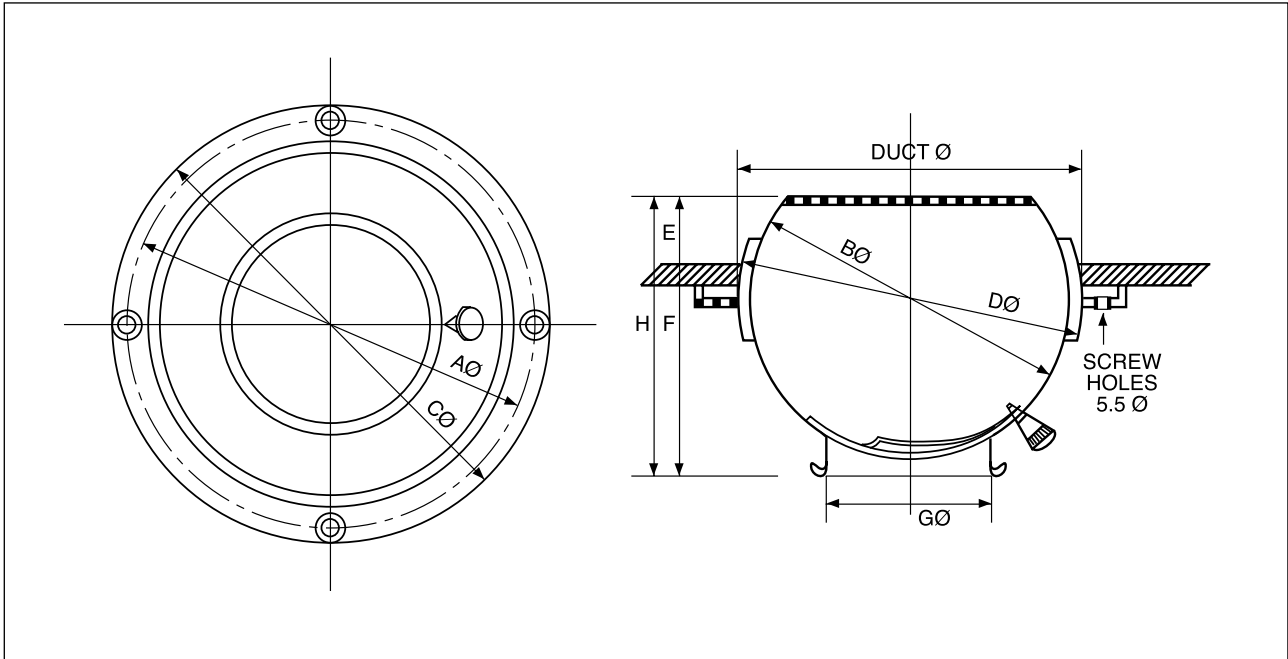
TECHNICAL PERFORMANCE DATA

MODEL: PK

Size	Neck Velocity (m/s)	2	3	4	5	6	7	8	9	10	11	12
No. 3	Air Volume (CMH)	8	12	16	20	24	29	33	36	41	46	49
	Throw (m)	0.8	1.2	1.5	1.9	2.3	2.6	2.9	3.4	3.7	4.1	4.5
	S.P. (Pa)	2	3	6	11	13	19	23	28	36	41	53
	NC	<20	<20	20	25	28	31	34	36	38	40	42
No. 3.5	Air Volume (CMH)	11	16	21	26	32	37	42	47	53	58	63
	Throw (m)	0.9	1.3	1.7	2.2	2.6	3.0	3.4	4.0	4.4	4.8	5.2
	S.P. (Pa)	2	3	7	12	15	21	27	34	42	50	67
	NC	<20	<20	20	26	28	32	34	36	39	41	43
No. 4	Air Volume (CMH)	14	21	28	36	42	49	57	64	71	78	85
	Throw (m)	1.0	1.5	2.0	2.5	3.0	3.4	3.9	4.6	5.0	5.5	6.0
	S.P. (Pa)	2	4	8	13	16	22	30	39	48	59	70
	NC	<20	<20	21	26	29	32	35	37	39	41	43
No. 4.5	Air Volume (CMH)	19	29	38	48	57	67	76	86	95	105	115
	Throw (m)	1.1	1.5	2.2	2.8	3.3	3.8	4.4	5.0	5.6	6.2	6.7
	S.P. (Pa)	2	5	9	13	17	23	33	44	54	65	75
	NC	<20	<20	21	26	29	32	35	37	39	41	43
No. 5	Air Volume (CMH)	24	36	48	60	72	84	96	107	119	131	143
	Throw (m)	1.3	1.6	2.5	3.1	3.7	4.3	4.9	5.6	6.2	6.8	7.6
	S.P. (Pa)	3	6	10	14	18	25	36	48	60	71	82
	NC	<20	<20	22	27	30	33	36	38	40	42	44
No. 6	Air Volume (CMH)	32	48	64	79	95	111	127	143	159	175	191
	Throw (m)	1.5	2.3	3.0	3.7	4.4	5.2	5.9	6.6	7.3	8.2	9.0
	S.P. (Pa)	3	6	10	14	20	30	42	53	64	76	86
	NC	<20	<20	23	28	31	34	37	39	41	43	46
No. 7	Air Volume (CMH)	46	69	92	115	138	160	184	206	229	252	275
	Throw (m)	1.8	2.8	3.6	4.5	5.4	6.3	7.2	8.2	9.1	10.2	11.1
	S.P. (Pa)	3	6	11	15	22	32	44	55	67	82	96
	NC	<20	<20	24	29	32	36	38	40	42	44	47
No. 8	Air Volume (CMH)	57	86	113	141	170	198	226	265	283	311	339
	Throw (m)	2.2	3.3	4.3	5.4	6.5	7.5	8.5	9.8	11.1	12.2	13.3
	S.P. (Pa)	3	6	11	16	24	35	46	58	70	88	106
	NC	<20	<20	25	30	34	38	40	42	44	46	48
No. 10	Air Volume (CMH)	111	168	222	277	332	388	443	499	554	609	685
	Throw (m)	2.8	4.2	5.5	6.6	8.3	9.5	12.2	13.2	14.1	15.7	17.2
	S.P. (Pa)	3	7	12	18	26	38	50	63	76	96	115
	NC	<20	20	27	33	37	40	42	44	47	49	52
No. 12	Air Volume (CMH)	164	231	308	385	462	539	616	716	796	876	923
	Throw (m)	3.3	4.8	6.6	8.1	9.8	12.0	13.2	14.9	16.5	18.4	20.2
	S.P. (Pa)	3	8	13	19	28	39	50	65	80	98	115
	NC	<20	21	28	34	38	42	44	46	49	54	59
No. 14	Air Volume (CMH)	204	305	406	510	612	714	815	918	1020	1122	1224
	Throw (m)	4.0	6.2	8.2	10.0	12.0	14.0	16.5	18.5	20.5	22.9	25.2
	S.P. (Pa)	3	8	14	20	28	39	49	64	78	97	115
	NC	<20	22	29	35	39	43	46	48	51	53	56
No. 16	Air Volume (CMH)	299	448	598	747	897	1048	1198	1348	1495	1645	1794
	Throw (m)	4.4	6.7	9.0	11.0	13.0	16.2	18.1	20.2	22.3	24.9	27.5
	S.P. (Pa)	4	8	14	19	27	38	49	62	74	94	113
	NC	<20	22	29	36	40	44	48	50	53	56	59
No. 18	Air Volume (CMH)	382	573	764	956	1146	1331	1528	1719	1910	2101	2292
	Throw (m)	5.0	7.4	10.0	12.0	15.0	17.3	19.7	22.1	24.5	27.4	30.2
	S.P. (Pa)	4	9	13	18	26	37	48	60	72	93	113
	NC	<20	23	30	36	41	45	49	52	55	58	61
No. 20	Air Volume (CMH)	543	815	1086	1358	1629	1901	2173	2444	2716	2988	3259
	Throw (m)	6.0	9.0	12.1	15.0	18.0	21.5	24.5	27.3	30.0	33.3	35.5
	S.P. (Pa)	4	9	13	17	24	37	48	59	69	89	110
	NC	<20	24	31	37	43	47	51	54	57	60	63

- Throw - Throw at 0.5m/s terminal velocity in metres.
- SP - Static Pressure drops are in Pascals.
- NC - Noise Criterion based upon room absorption of 10 dB.

DESIGN FEATURES



SIZES AND DIMENSIONS

SIZE	A	B	C	D	E	F	G	H	Duct Opening	Screw Holes	Weight
No. 3	97	75	115	82	17	53	38	70	85	3	130g
No. 3.5	107	85	125	92	21	58	43	79	95	3	160g
No. 4	122	100	140	107	24	65	50	89	110	4	180g
No. 4.5	137	115	155	122	29	73	58	102	125	4	230g
No. 5	152	130	170	137	33	82	65	115	140	5	340g
No. 6	172	150	190	158	38	94	75	132	160	5	370g
No. 7	213	178	231	185	38	111	90	149	190	5	460g
No. 8	232	200	250	204	44	120	100	164	200	5	580g
No. 10	304	267	324	276	50	174	140	224	280	5	950g
No. 12	342	305	363	314	63	200	165	263	318	5	1180g
No. 14	342	305	363	314	60	185	190	245	318	5	1180g
No. 16	451	410	470	419	92	248	230	340	425	8	2000g
No. 18	511	470	535	479	95	295	260	390	486	8	2630g
No. 20	511	470	535	479	95	295	310	390	486	8	2730g