



PASS BOX



KYODO-ALLIED TECHNOLOGY PTE LTD

8 Pandan Crescent #01-06, Singapore 128464

Tel: (65) 6265 1311 Fax: (65) 6265 8100

Website: www.kyodo.com.sg



PASS BOX

PASS BOX facilitates the transfer of work items in and out of the cleanroom. Pass box is essential for the swift transfer of goods and to minimise the movement of personnel and unnecessary human traffic in and out from cleanroom. Besides the standard type pass box, U.V. Light and air shower facility are optional.



TYPE IDENTIFICATION

PB-5 5 4-M □

OPTIONAL FEATURE

L: LAMP (TRAFFIC INDICATION)
P: INTER-PHONE
B: BUZZER
R: ROLLER CONVEYOR

TYPE

M: MECHANICAL INTERLOCK
E: ELECTRICAL INTERLOCK

EFFECTIVE LENGTH

4: 400mm
5: 500mm
6: 600mm

EFFECTIVE HEIGHT

4: 400mm
5: 500mm
6: 600mm

EFFECTIVE WIDTH

4: 400mm
5: 500mm
6: 600mm

PASS BOX

PB-1

PASS BOX

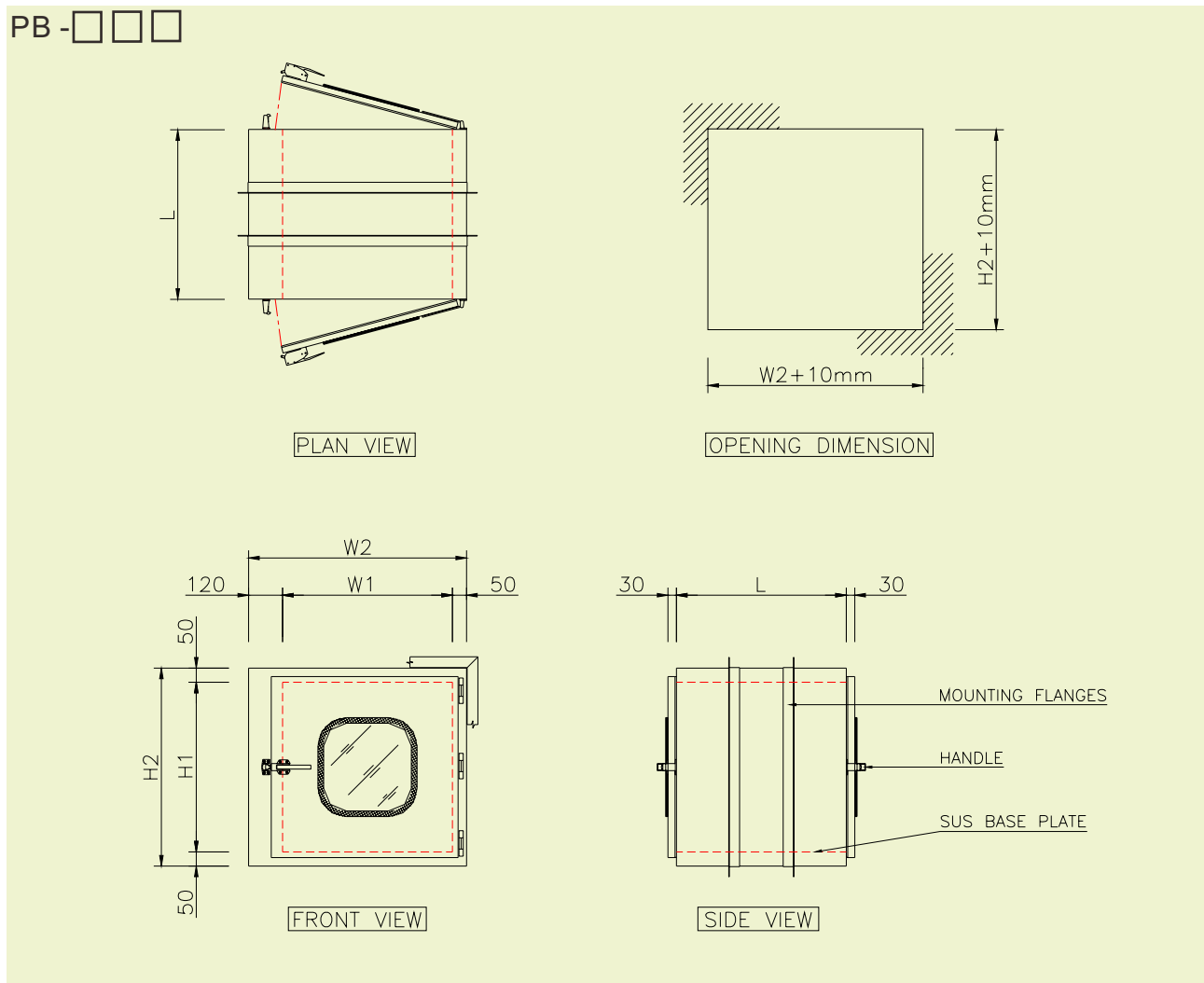
SPECIFICATION

DOOR INTERLOCK	MECHANICAL / ELECTRICAL
CONSTRUCTION	CASING: STEEL SHEET METAL BASE: STAINLESS STEEL BASE PLATE WINDOW: COLOURLESS TRANSPARENT GLASS
FINISHING	POWDER BAKED EPOXY
WEIGHT	REFER TO ATTACHED SHEET

DIMENSION

MODEL	W1	W2	H1	H2	L	WEIGHT
PB-444	400	570	400	500	400	39kg
PB-544	500	670				48kg
PB-555			500	600	500	53kg
PB-665	600	770	600	700		600
PB-666					600	69kg

STANDARD TYPE



*Custom-built dimensions & specifications are also acceptable.

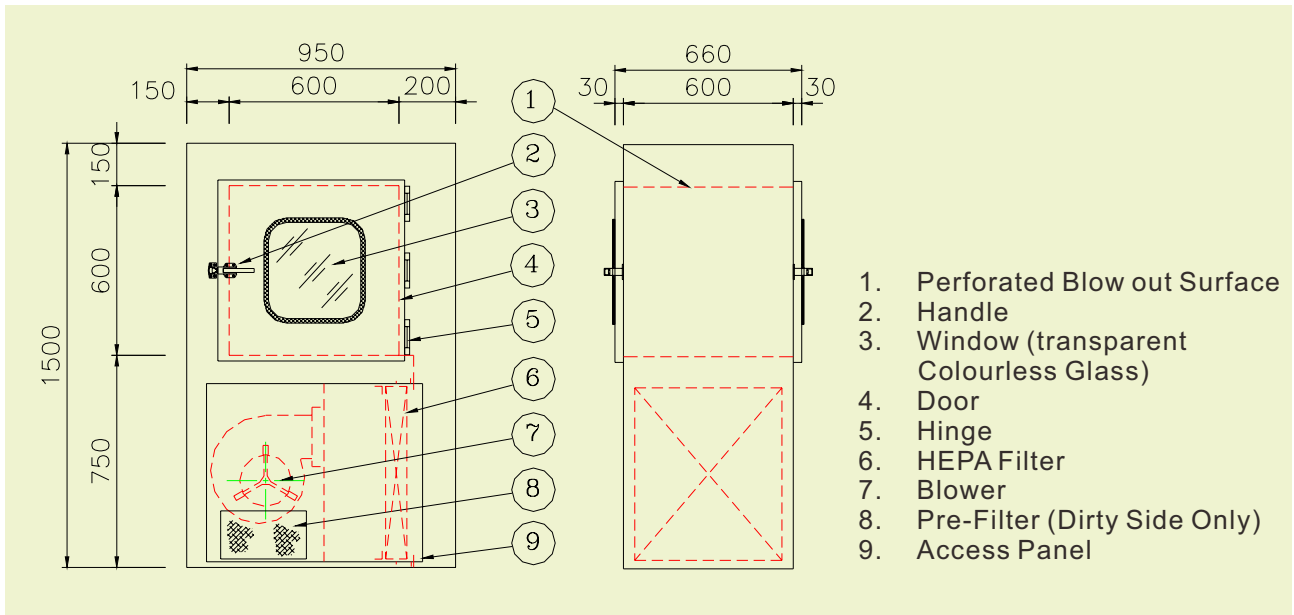
PB-2

SPECIAL TYPE PASS BOX



This is a PASS BOX incorporated with a blower and HEPA filter. It is self-contained air chamber installed at the entrance to cleanroom in order to minimize the amount of particulate contamination entering the cleanroom.

CIRCULATING TYPE PASS BOX



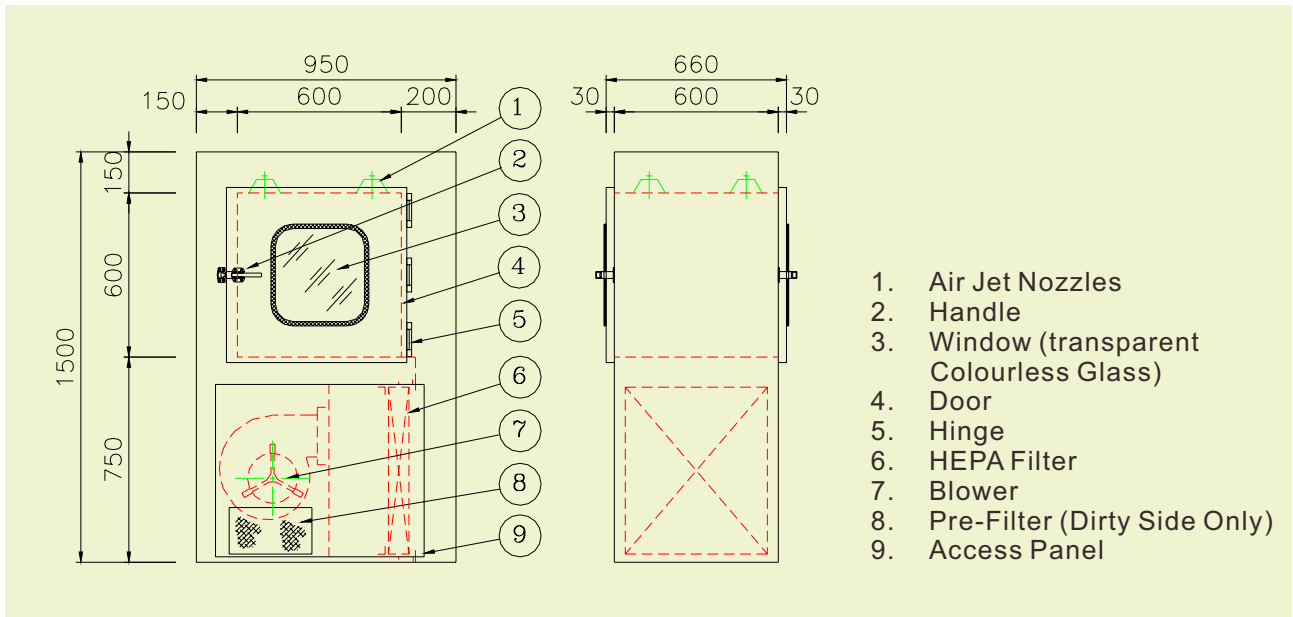
SPECIFICATION

HEPA FILTER EFFICIENCY	99.99% OR MORE AT 0.3 μ m PARTICLES
CIRCULATED AIR FLOW	APPROX. 9.5m ³ /Min
PRE FILTER	NON-WOVEN
CONSTRUCTION	STEEL SHEET METAL
	INT. BASE: 304 PUNCHING POLISHED PLATE
	WINDOW: COLOURLESS TRANSPARENT GLASS
FINISHING	POWDER BAKED EPOXY
POWER SUPPLY	AC, 1 PH, 230V, 50/60 Hz
POWER CONSUMPTION	350 W
WEIGHT	120 kg

PB-3

SPECIAL TYPE PASS BOX

PASS BOX WITH AIR SHOWER



SPECIFICATION

HEPA FILTER EFFICIENCY	99.99% OR MORE AT 0.3µm PARTICLES
AIR FLOW	APPROX. 5.6m ³ /Min
JET SPEED	APPROX. 23m/sec OR MORE
PRE FILTER	NON-WOVEN
CONSTRUCTION	STEEL SHEET METAL
	INT. BASE: 304 PUNCHING POLISHED PLATE
	WINDOW: COLOURLESS TRANSPARENT GLASS
FINISHING	POWDER BAKED EPOXY
POWER SUPPLY	AC, 1 PH, 230V, 50/60 Hz
POWER CONSUMPTION	350 W
WEIGHT	120 kg



PASS BOX WITH PNEUMATIC LIFT



PASS BOX WITH AIR SHOWER FOR CONVEYOR



KYODO-ALLIED TECHNOLOGY PTE LTD

Sales Office and Factory:
8 Pandan Crescent #01-06, Singapore 128464
Tel: (65)6265-1311 Fax: (65)6265-8100
Website: www.kyodo.com.sg

KYODO-ALLIED (MALAYSIA) SDN. BHD.

K.L. Office:
Tel: (03)7958-7641 / 7958-7724
Fax: (03)7958-7614

J.B. Office:
Lot 854 Jalan Sengkang,
81000 Kulai, Johor, Malaysia
Tel: (07)6637-467-9 Fax: (07)6637-290

KYODO-ALLIED (THAILAND) CO., LTD.

Bangkok Office:
1475 Soi Ladprow 94 (Phanjamit), Ladprow Road,
Wongthonglang, Bangkok 10310, Thailand
Tel: (02)559-2790 / 559-2791
Fax: (02)559-2792

KYODO-ALLIED TRADING (SHANGHAI) CO., LTD.

Room 2509 Zhong Cheng Building,
No. 818 Dong Fang Road,
Shanghai Pudong 200122 China
Tel: (86)21-6360-7138 Fax: (86)21-6360-7137