

TURBO NOZZLE

Turbo Nozzle is a high quality and high anti-corrosion products which is fabricated using aluminium and stainless steel.

It is an ideal product for bigger air volume and longer distance air flow. You can choose the number of nozzle according to its size.

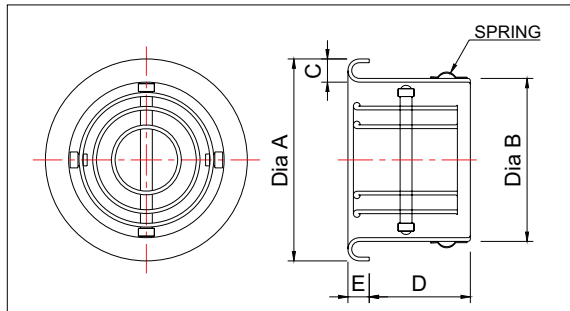
FEATURES

- Direction of nozzle can be easily adjusted to suit one's requirement
- NT size 4 has only 1 no of adjustable nozzle with SUS 304 ring
- NT size 6~16 have 2 nos of adjustable nozzle with SUS 304 ring
- NT size 20 & 24 have 3 nos of adjustable nozzle with SUS 304 ring

FINISHING

Standard finishing colour is natural anodizing. Other colours in baked enamel are available on request.

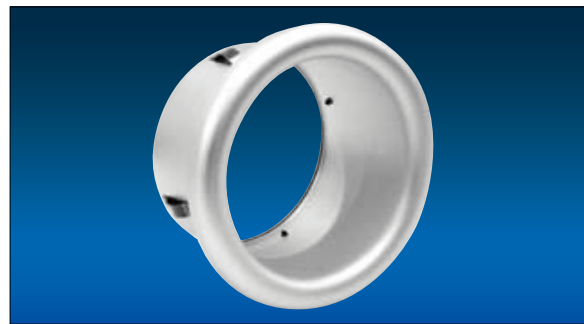
NT



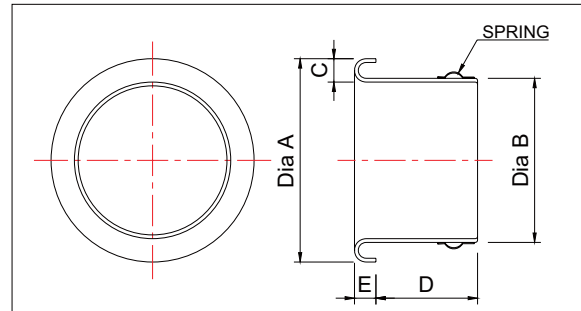
DIMENSIONS

Model	A	B	C	D	E	Duct Size
NT 4	121	92	18	51	13	Ø100 (4")
NT 6	183	141	22	85	17	Ø150 (6")
NT 8	239	191	26	108	19	Ø200 (8")
NT 10	302	241	32	129	24	Ø250 (10")
NT 12	364	291	38	124	29	Ø300 (12")
NT 14	422	341	42	121	32	Ø350 (14")
NT 16	477	391	45	119	34	Ø400 (16")
NT 20	596	498	51	165	38	Ø508 (20")
NT 24	698	599	51	165	38	Ø609 (24")

MODEL: NT & NP



NP



DIMENSIONS

Model	A	B	C	D	E	Duct Size
NP 4	121	92	18	51	13	Ø100 (4")
NP 6	183	141	22	85	17	Ø150 (6")
NP 8	239	191	26	108	19	Ø200 (8")
NP 10	302	241	32	129	24	Ø250 (10")
NP 12	364	291	38	124	29	Ø300 (12")
NP 14	422	341	42	121	32	Ø350 (14")
NP 16	477	391	45	119	34	Ø400 (16")
NP 20	596	498	51	165	38	Ø508 (20")
NP 24	698	599	51	165	38	Ø609 (24")

NT Turbo Nozzle																					
Size	Neck Velocity		1.52		2.03		2.54		3.05		3.56		4.06		5.08		6.10		7.11		
	Velocity Pressure Loss (mmAq)		0.15		0.25		0.41		0.56		0.79		1.02		1.57		2.29		3.10		
	Angle		0	22.5	0	22.5	0	22.5	0	22.5	0	22.5	0	22.5	0	22.5	0	22.5	0	22.5	
4"	Neck Area (sq.m.) 0.0081	Air Volume (CMH)	51		68		85		102		119		136		153		187		221		
		Static Press Loss (mmAq)	-	-	-	-	0.76	1.52	1.22	1.65	1.65	2.54	2.16	3.05	2.16	3.05	3.35	5.59	5.72	7.62	
		NC Rating (dB)	-	-	-	-	-	-	15	19	20	24	22	28	30	31	32	36	37	38	
		Distance (m)	2.7	2.4	3.0	2.4	3.4	2.7	3.7	3.0	4.0	3.4	4.3	3.7	4.3	4.0	4.6	4.3	4.9	4.6	
6"	Neck Area (sq.m.) 0.0182	Air Volume (CMH)	102		136		170		204		238		272		340		408		476		
		Static Press Loss (mmAq)	-	0.51	-	0.76	0.51	1.27	0.76	1.27	1.27	1.57	1.14	1.91	1.88	3.25	3.05	5.08	4.32	7.37	
		NC Rating (dB)	-	-	-	-	-	-	-	-	-	17	15	20	22	28	29	34	34	41	
		Distance (m)	3.0	2.4	3.7	3.0	4.6	3.7	7.9	4.6	4.9	4.0	5.8	5.5	6.4	6.1	7.3	6.7	7.9	7.0	
8"	Neck Area (sq.m.) 0.0324	Air Volume (CMH)	187		238		306		357		425		476		595		714		833		
		Static Press Loss (mmAq)	-	-	0.25	0.51	0.51	0.76	0.61	1.02	1.02	1.52	1.40	2.54	2.29	3.05	3.81	5.33	5.59	7.62	
		NC Rating (dB)	-	-	-	-	-	-	18	15	18	20	21	22	26	25	32	27	33	35	40
		Distance (m)	4.3	3.7	5.5	5.2	6.1	5.5	6.7	6.1	7.3	6.4	7.9	7	8.5	7.6	9.1	8.2	9.8	8.5	
10"	Neck Area (sq.m.) 0.0506	Air Volume (CMH)	289		374		476		561		663		748		934		1121		1308		
		Static Press Loss (mmAq)	-	-	-	0.51	0.25	0.76	0.46	1.02	0.76	1.27	1.02	1.57	1.37	2.31	1.93	3.30	2.54	6.10	
		NC Rating (dB)	-	-	-	-	-	15	-	20	20	22	15	16	24	16	25	32	34	38	
		Distance (m)	6.4	5.5	7.3	6.1	7.9	6.4	8.5	7.3	9.1	8.2	9.8	8.5	10.4	9.4	11.6	10.1	12.2	10.7	
12"	Neck Area (sq.m.) 0.0729	Air Volume (CMH)	408		544		680		816		934		1070		1342		1614		1869		
		Static Press Loss (mmAq)	-	-	-	0.25	-	0.64	0.89	1.02	1.02	1.27	1.27	2.54	1.27	2.29	1.52	2.54	2.54	5.08	
		NC Rating (dB)	-	-	-	-	-	-	-	-	-	20	18	22	22	32	31	38	35	42	
		Distance (m)	7.6	6.4	8.2	7.0	8.5	7.9	9.4	8.5	10.4	9.4	10.7	9.8	12.5	11.6	12.8	12.2	13.1	12.5	
14"	Neck Area (sq.m.) 0.0993	Air Volume (CMH)	561		731		917		1104		1274		1461		1818		2192		2549		
		Static Press Loss (mmAq)	-	-	-	-	-	0.66	0.76	1.04	0.71	1.02	0.76	1.27	1.02	1.52	1.27	2.54	3.61	6.35	
		NC Rating (dB)	-	-	-	-	-	-	-	15	15	21	16	29	24	30	29	34	36	40	
		Distance (m)	8.2	7.0	9.1	7.9	10.1	9.4	11.3	10.1	12.2	11.0	12.5	11.9	13.1	12.5	15.8	14.0	18.0	15.2	
16"	Neck Area (sq.m.) 0.1297	Air Volume (CMH)	714		951		1189		1427		1665		1903		2379		2854		3330		
		Static Press Loss (mmAq)	-	-	-	-	-	0.76	0.56	0.97	0.84	0.56	1.02	0.76	1.27	1.04	1.52	1.78	1.78	2.16	
		NC Rating (dB)	-	-	-	-	-	-	-	-	-	15	-	17	23	26	30	33	35	38	
		Distance (m)	9.1	8.2	10.4	9.8	11.6	11.0	12.5	11.9	13.1	12.5	14.0	13.1	16.5	14.6	18.9	16.5	21.3	18.3	
20"	Neck Area (sq.m.) 0.2027	Air Volume (CMH)	1121		1495		1869		2226		2600		2973		3721		4451		5199		
		Static Press Loss (mmAq)	-	-	-	-	-	0.76	0.53	0.76	0.81	1.02	1.07	1.27	1.52	1.78	2.41	2.79	3.05	3.56	
		NC Rating (dB)	-	-	-	-	-	-	-	15	-	15	17	25	26	32	30	35	36	42	
		Distance (m)	12.2	11.3	13.7	12.5	14.0	13.7	16.2	14.6	17.4	16.2	19.2	17.1	21.6	19.2	24.4	24.1	28.8	21.9	
24"	Neck Area (sq.m.) 0.2919	Air Volume (CMH)	1614		2141		2684		3211		3738		4282		5352		6422		7476		
		Static Press Loss (mmAq)	-	-	-	-	-	0.76	0.51	0.51	0.64	1.02	1.02	1.27	1.40	1.78	2.16	2.54	3.05	3.30	
		NC Rating (dB)	-	-	-	-	-	-	-	15	15	22	19	27	24	33	32	37	38	44	
		Distance (m)	14.0	13.4	15.8	14.6	17.4	16.2	18.9	17.4	20.4	18.9	22.3	20.4	25.3	23.2	28.3	25.8	31.7	29.0	

NP Turbo Nozzle														
Size	Neck Velocity (m/s)		1.27		2.54		3.81		5.1		6.35		7.62	
	Velocity Pressure Loss (mmAq)		0.102		0.406		0.889		1.575		2.464		3.556	
	Total Pressure (mmAq)		0.584		1.473		2.921		4.241		6.527		8.458	
4	Neck Area (sq.m.) 0.058	Air Volume (CMH)	34		68		85		119		136		170	
		NC Rating (dB)	-	-	-	-	-	-	-	-	15	16		
		Distance (m)	2.8	3.4	4.6	5.2	5.5	6.1						
6	Neck Area (sq.m.) 0.0138	Air Volume (CMH)	68		136		187		255		306		374	
		NC Rating (dB)	-	-	-	-	-	-	-	-	15	16		
		Distance (m)	3.7	4.9	6.1	6.7	7.3	8.2						
8	Neck Area (sq.m.) 0.0251	Air Volume (CMH)	119		238		357		459		578		697	
		NC Rating (dB)	-	-	-	-	-	-	-	-	15	16		
		Distance (m)	3.7	5.8	7	8	8.8	10						
10	Neck Area (sq.m.) 0.0399	Air Volume (CMH)	187		374		561		731		918		1105	
		NC Rating (dB)	-	-	-	-	-	-	-	-	15	16		
		Distance (m)	4	6.4	7.6	8.8	10	11						
12	Neck Area (sq.m.) 0.0587	Air Volume (CMH)	272		544		816		1088		1343		1615	
		NC Rating (dB)	-	-	-	-	-	-	-	-	15	16		
		Distance (m)	4.6	7	8.5	9.5	10.7	12.2						
14	Neck Area (sq.m.) 0.0799	Air Volume (CMH)	374		731		1105		1462		1836		2193	
		NC Rating (dB)	-	-	-	-	-	-	-	-	15	16		
		Distance (m)	5	7	8.9	10	11.6	13.8						
16	Neck Area (sq.m.) 0.1074	Air Volume (CMH)	493		986		1479		1972		2465		2958	
		NC Rating (dB)	-	-	-	-	-	-	-	-	15	16		
		Distance (m)	5	7	8.5	10.4	11.3	12.8						
20	Neck Area (sq.m.) 0.1747	Air Volume (CMH)	799		1598		2397		3196		3995		4794	
		NC Rating (dB)	-	-	-	-	-	-	-	-	15	16		
		Distance (m)	5.2	7	8.2	10	11	12.8						
24	Neck Area (sq.m.) 0.2508	Air Volume (CMH)	1156		2295		3451		4590		5746		6881	
		NC Rating (dB)	-	-	-	-	-	-	-	-	15	16		
		Distance (m)	5.2	6.7	8.6	10	11	13.4						

Air Velocity is at 0.254m/s.
- Underline is below 0.254m/s.
- Underline is below 15dB

