

BACK DRAFT DAMPER

MODEL: NRD

FEATURES

- Frame constructed of high quality Galvanised steel with one side flange for Duct to Duct mounting.
- SUS is available on request.
- Blades constructed of light weight quality aluminium.
- Damper height exceeding 300mm supplied in multiple blades.
- Length of Damper blade exceeding 1200mm is supplied with intermediate mullion.
- Unless specified, otherwise damper comes without matching flanges.
- Standard depth of damper is 210mm.
- Round NRD is available on request.

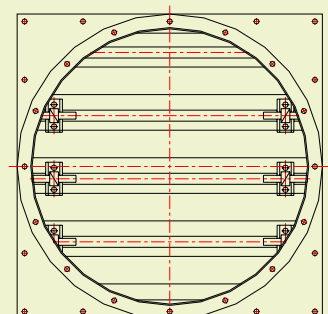
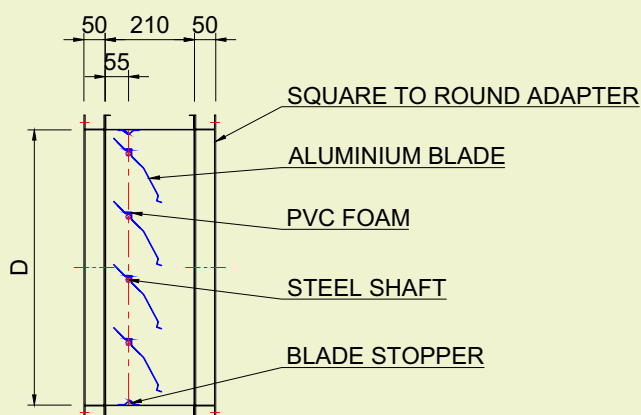
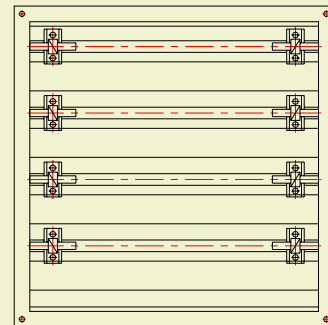
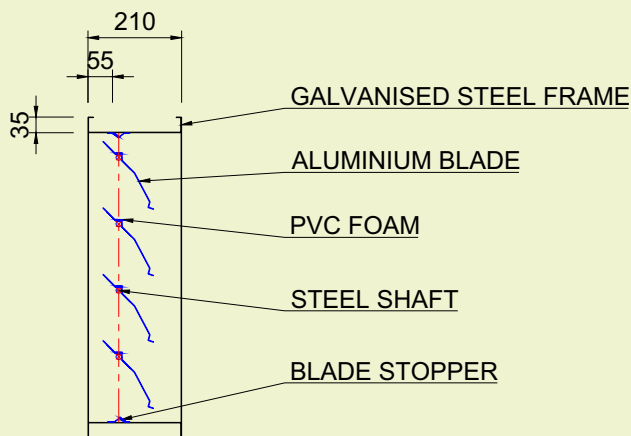


FINISHING

Mill

ORDER KEY

NRD

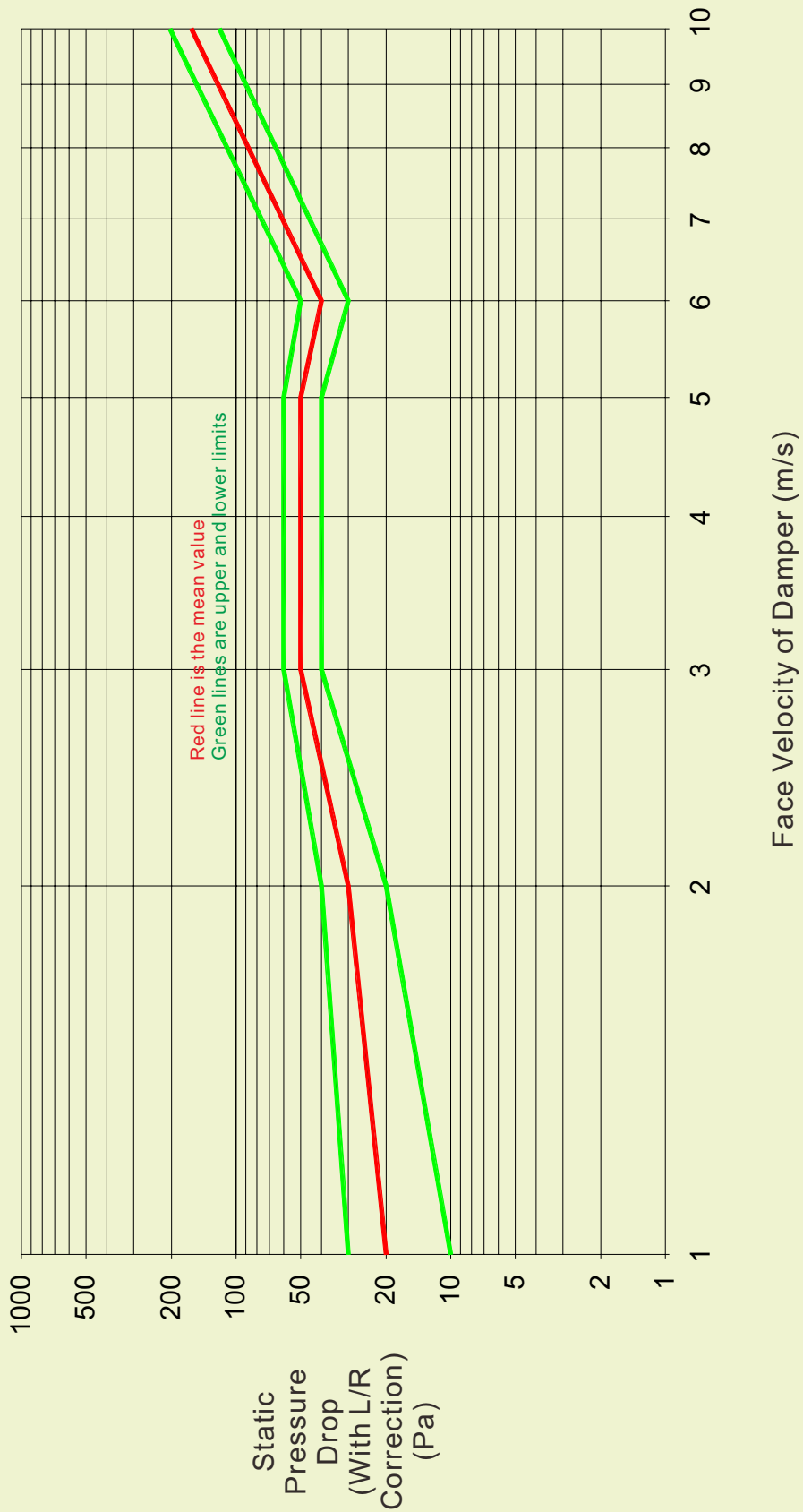


NRD-1

BACK DRAFT DAMPER

TECHNICAL PERFORMANCE CURVE

MODEL: NRD



NRD-2



KYODO reserves the right to make changes without written notice. The actual product might differ from pictures shown. Drawings are not meant to show exact details of every aspects of the product.