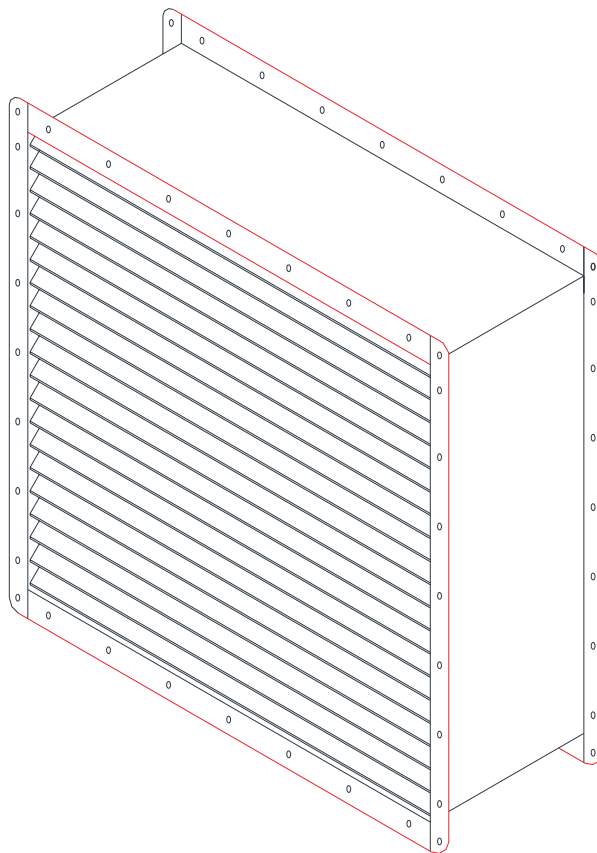




MIST SEPARATOR



KYODO-ALLIED TECHNOLOGY PTE LTD

8 Pandan Crescent #01-06, Singapore 128464

Tel: (65) 6265 1311 Fax: (65) 6265 8100

Website: www.kyodo.com.sg



MARINE MIST SEPARATOR

Model: KYODO MS-D

Introduction

Kyodo high efficiency mist separator is one of the distinctive products which widely use in offshore, marine, oil & gas and petro chemical plant. It is constructed to minimize the rain water or moisture ingress into the air conditioning & ventilation system.

Test

Efficiency of the water separator is tested in accredited laboratory according to BS EN13030 : 2001 Standard, by simulating 13m/s wind speed to the separator surface with a nominal rainfall rate of 75mm/hr.

Water Penetration Classification

The mist separate achieve rain defence classification Class A under BS EN13030 : 2001 Standard

Water penetration rating at a given louver face velocity is determined by the water penetration while the louver is subjected to a 13m/s simulated wind velocity and a simulated rain fall at a 75mm/hr.

Features

Kyodo water/ moisture separator features:

- Mist eliminator blades consist of primary and secondary vanes to capture water droplet.
- Water droplet capture by the vanes will flow to the drain pan by gravity
- Constructed using high quality SS316, SS304 or Galvanized material.
- Casing: min 2.0mm thick. Separator blade: 1.0 to 1.2mm thick.
- 40-50mm flanges with drilling holes pattern according to ISO Standard.
- Drain point provided at the bottom of water separator for rain water drainage.
- Hinged door shall be provided (for model come with air filter) for filter access/ replacement.
- Suitable for bulkhead and duct installation.

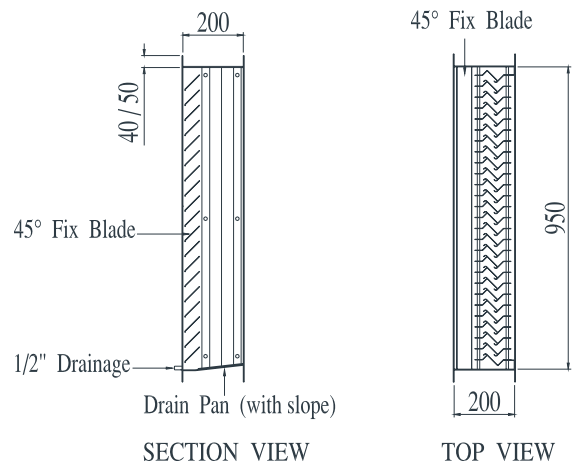
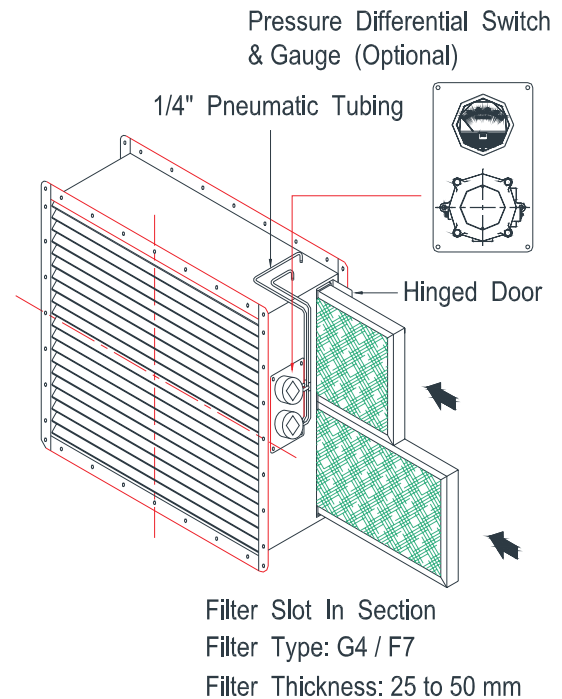
Dimension Limit

- Minimum : 400mm x 400mm
- Maximum: 950mm x 950mm for single module. No limit for multiple modules

Additional Features

- a.) Stainless steel netting (insect screen)
- b.) Air filter (option of G4 or F7 filter)
- c.) Pressure differential switch & gauge for monitoring the filter cleanliness.

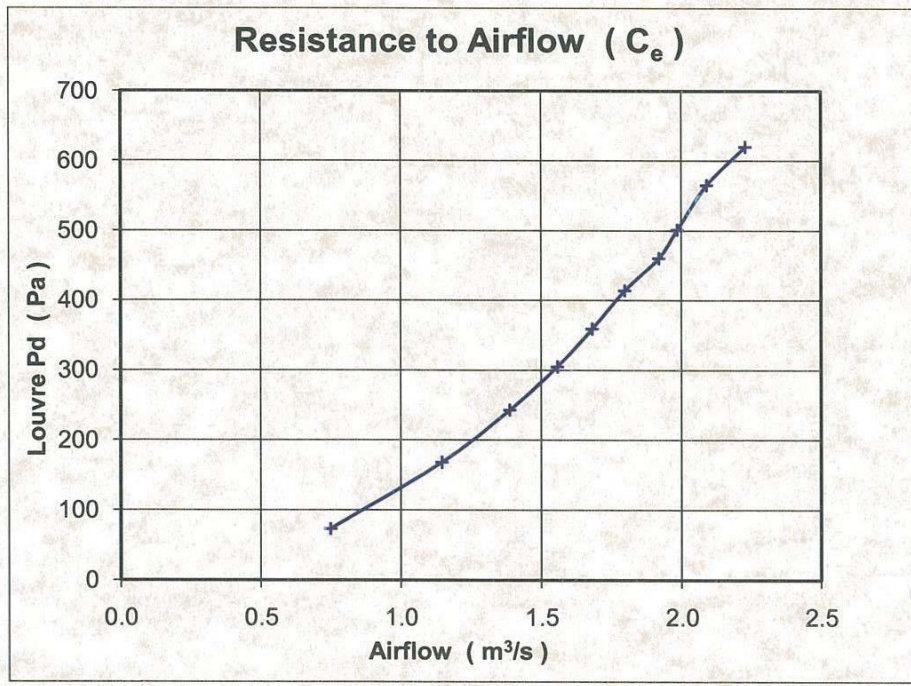
(Note: Pressure differential switch for hazardous or non hazardous area available.)



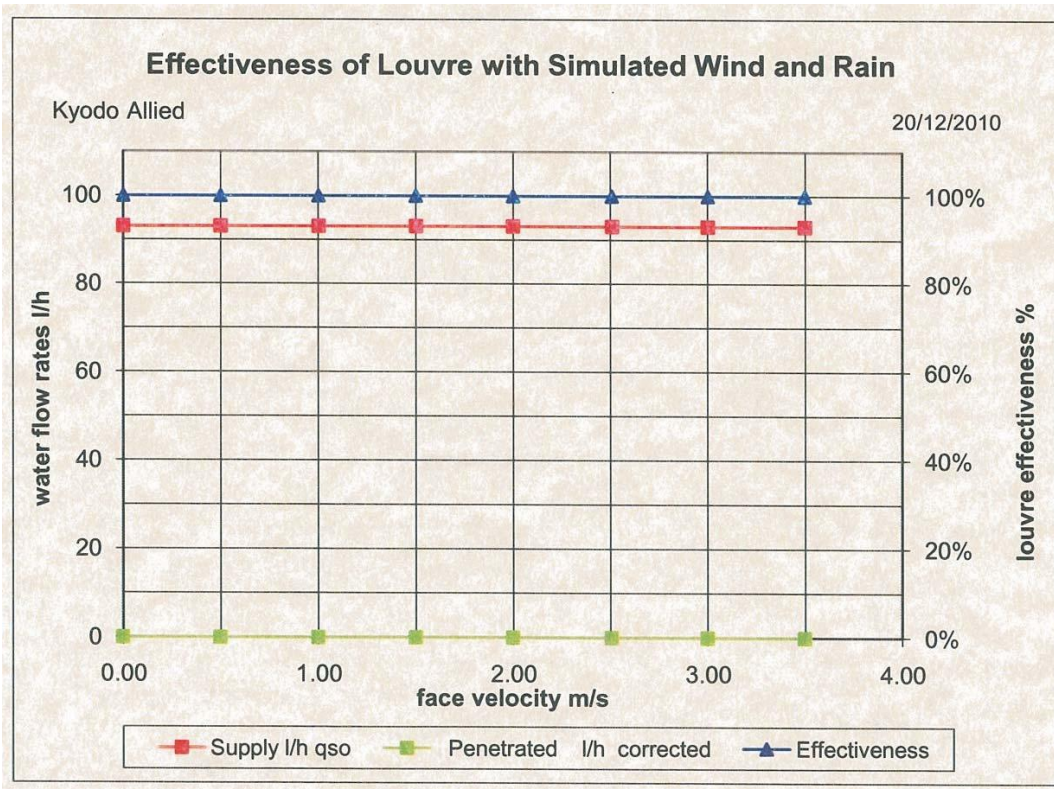
MS-D

MARINE MIST SEPARATOR

PERFORMANCE CURVE



WATER PENETRATION



*Based on MS-D size 950x950 mm.



KYODO-ALLIED TECHNOLOGY PTE LTD

Sales Office and Factory:
8 Pandan Crescent #01-06, Singapore 128464
Tel: (65)6265-1311 Fax: (65)6265-8100
Website: www.kyodo.com.sg

KYODO-ALLIED (MALAYSIA) SDN. BHD.

K.L. Office:
Tel: (03)7958-7641 / 7958-7724
Fax: (03)7958-7614

J.B. Office:
Lot 854 Jalan Sengkang,
81000 Kulai, Johor, Malaysia
Tel: (07)6637-467-9 Fax: (07)6637-290

KYODO-ALLIED (THAILAND) CO., LTD.

Bangkok Office:
1475 Soi Ladprow 94 (Phanjamit), Ladprow Road,
Wongthonglang, Bangkok 10310, Thailand
Tel: (02)559-2790 / 559-2791
Fax: (02)559-2792

KYODO-ALLIED TRADING (SHANGHAI) CO., LTD.

Room 2509 Zhong Cheng Building,
No. 818 Dong Fang Road,
Shanghai Pudong 200122 China
Tel: (86)21-6360-7138 Fax: (86)21-6360-7137