



**LIANG CHI GROUP**

SINCE 1962

**LIANG CHI INDUSTRY CO., LTD.**

**Head Office**

No. 1, Sec. 3, Nanking East Road, Taipei, Taiwan, R.O.C.

(Liang Chi Building) [Http://www.liangchi.com.tw](http://www.liangchi.com.tw)

Tel.: 886-2-25063588 Fax: 886-2-25067227

**Head Factory**

No. 291, Sec. 2, Hai-San Rd., Hai-Hwu Village, Taoyuan, Taiwan, R.O.C.

Tel.: 886-3-3541201 Fax: 886-3-3541426

**LIANG CHI THAILAND INDUSTRY CO., LTD.**

1029 Prachapatthana Rd., Tab-Yao, Lad-Krabang, Bangkok 10520, Thailand

Tel.: 66-2-7381788 Fax: 66-2-7381780

**LIANG CHI II (VN) INDUSTRY CO., LTD.**

Binh Phu Village, Binh Chuan Town, Thuan An District, Binh Duong Province, Vietnam

Tel.: 84-650-3611088-94 Fax: 84-650-3611095

**PT. LIANG CHI INDONESIA**

Jl. Daan Mogot Km. 12, No. 9 Cengkareng, Jakarta 11730, Indonesia

Tel.: 62-21-6193099 Fax: 62-21-6193447

**LIANG CHI PHILS., INC.**

Km. 20, Ortigas Ave. Extension, Bo. San Isidro, Taytay, Rizal 1920 Metro Manila, Philippines

Tel.: 63-2-6588529 Fax: 63-2-6588769

**LIANG CHI USA CORP. DBA AMCOT COOLING TOWER CORP.**

350 N. Ponderosa Ave., Ontario, CA 91761, U.S.A.

Tel.: 1-909-3902598 Fax: 1-909-3901098



SINCE 1962



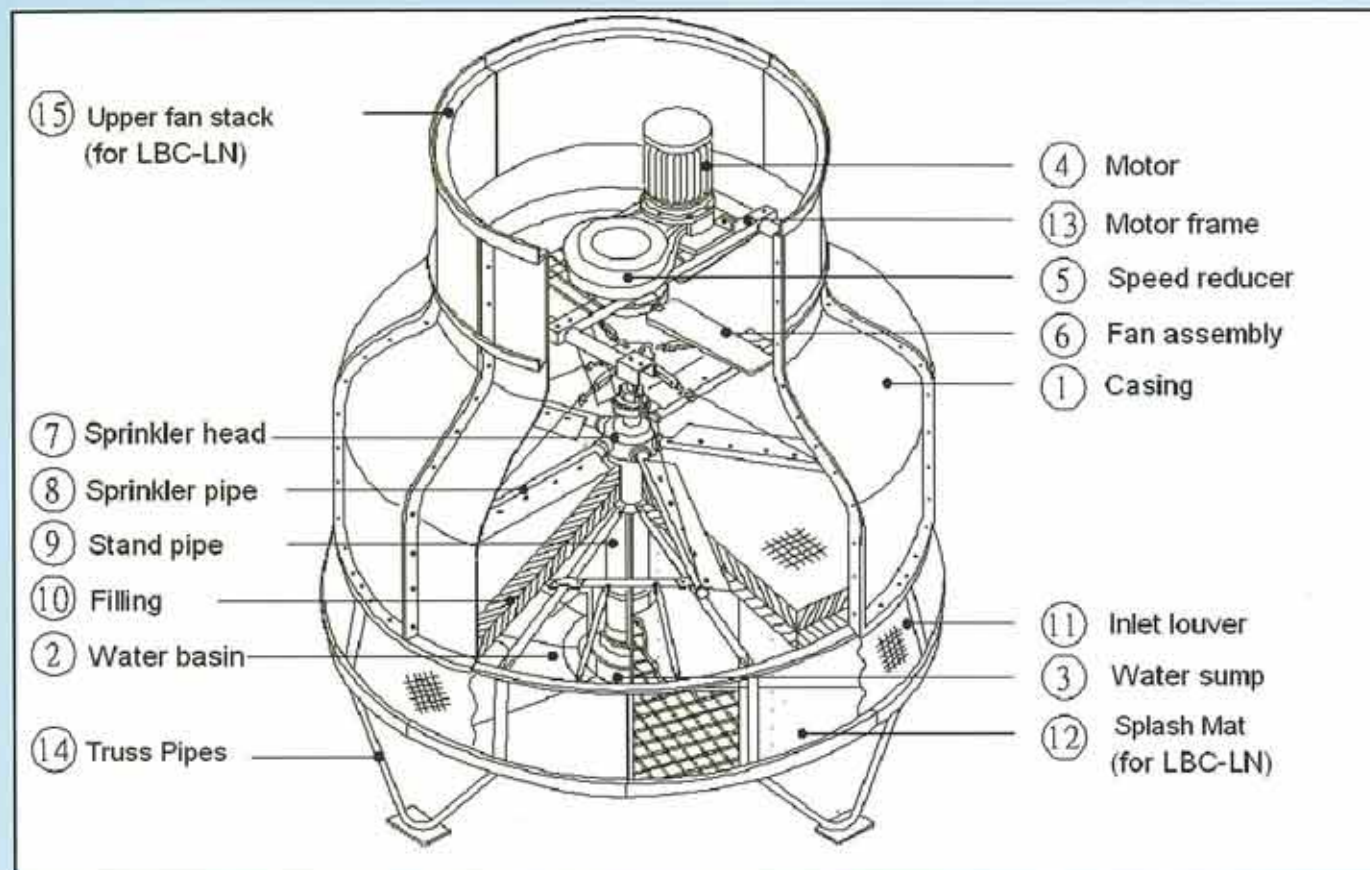
協同科技私人有限公司  
**KYODO-ALLIED TECHNOLOGY PTE LTD**  
Company Registration No. 199801326D  
17 Kian Teck Road, Jurong, Singapore 628771  
Website: [www.kyodo.com.sg](http://www.kyodo.com.sg)  
Tel: 62651311 Fax: 62658100



CTI MEMBER



## LBC & LBC-LN Round Counter Flow Type Cooling Tower



### INSTRUCTIONS FOR THE INSTALLATION OF LBC/LBC-LN COOLING TOWERS

**1. Location Selection:**

- Roofs or other open places with free air supply are the best sites for Cooling Towers.
- Minimum distance between two cooling tower location.  $S > \frac{1}{2}D$
- Minimum space for cooling tower being near the enclosure.  $S' > H$
- Keep away from smoke and dusty yards.
- Avoid places where corrosive gases exist, such as chimneys or hot springs.
- Keep away from hot places such as boilers, kitchens, etc.

**2. Position:**

- See that the piping can be carried out easily.
- Be sure to place the tower vertically, as uneven sprinkling will lower the cooling efficiency. See picture below:
- Tighten the anchor bolts.

**3. Piping:**

- The inlet and outlet pipes must have a downward installation and be lower than the pipe connections of the water sump. See picture below:

**4. Other:**

- After the installation is completed, examination must be made to see that there are no tools or other objects left in the tower.
- See that neither the piping nor the water basin leaks.
- When the make-up water pressure is low, install either a water tank higher than the water level or a water make-up pump somewhere in the piping system to obtain the desired water pressure.

**5. Pipe Sizing:**

- The pipe should be the same size as the pipe connections on the water sump. Smaller ones will lower the cooling efficiency and larger ones will be a waste of material.
- The circulating pump must be located below the water sump under normal operation. See picture below:

**6. Twin Towers:**

- Twin cooling towers with one pump must also share an additional equalizer between each other so that the water in both towers will have the same level. See picture below:

### Structure & Feature:

LBC :

Standard type for operating at higher fan speed based on the feature of fan blade. It's suitable for general application.

LBC-LN :

Standard low-noise type going with upper fan stack, splash mat, etc. for running at lower fan speed based on the feature of fan blade. Its noise is lower than standard type by 7~10 dB that is suitable for the application of quietness.

① FRP Casing ② Water basin ③ Water sump

Above parts are made of Fiberglass Reinforced Polyester (FRP), featuring good structure stress, non-chap, non-crack, non-aging, firmness and long duration. The models below LBC-(LN)-175 adopt one-piece water basin integrated with FRP legs that are non-corrosive and maintenance cost saving.

The pipings for the models above LBC-(LN)-200 are collected on water sump③ for easy piping work and saving cost.

④ Motor

Cooling tower is equipped with totally enclosed outdoor specialized motor that can run with low noise and endure under poor environment.

⑤ Speed reducer

LBC-3~200 and LBC-LN-3~125 are driven directly by low-noise motor. LBC-225~1500 and LBC-LN-150~150 are driven by general V-type belt (B form) that is featuring wide contacting area, light vibration and stable transmission. Belts have FRP protection cover that leads to moist-resistance, smooth running, wear-resistance, firmness, low refueling and easy maintenance.

⑥ Fan Blade Assembly

Special multi-blade, axial-flow and low-noise fan assembly is running quietly at lower power consumption level after being balanced. The models below LBC-(LN)-30 are made of reinforced plastic. The models above LBC-(LN)-40 are made of aluminum alloy. According to air volume required, the fan angle for the models above LBC-(LN)-60 are adjustable in order to reach the maximum air-exhaustion effectiveness.

⑦⑧⑨ Auto-rotation Water Distribution Device

A highly efficient automatic rotating device: sprinkler head⑦ for model below LBC-(LN)-60 is made of plastic steel. The model above LBC-(LN)-70 is made of aluminum alloy. Sprinkler pipe⑧ and stand pipe⑨ are of PVC plastic tubes featuring low water pressure, even water distribution, lower water consumption and maximum heat exchange efficiency.

⑩ High efficiency PVC Filling

The embossed filling is made of PVC sheet that is processed by surface treatment of wrinkled and corrugated pattern. The filling are glued together to extend the retention time of flowing water and have adequate surface in contact with ambient air to increase the heat exchange efficiency. The maximum applicable inlet temperature is 48°C or 118°F.

⑪ P.V.C. Inlet Louver

Inlet louver is of PVC plastic mesh to prevent objects entering the water basin.

⑫ Splash Mat (used for LBC-LN)

The special polyester noise-absorption mat is applied to reduce dripping noise and prevent water splash.

⑬⑭ Hot Dip Galvanized Steel Parts

The motor frame assembly⑬ and truss pipe assembly⑭ are of hot dip galvanized and anti-rust steel parts. There is no concern of corrosion.

⑮ Upper Fan Stack (Used On LBC-LN)

A FRP upper fan stack is added on air outlet in order to reduce air-exhaustion noise (for LBC-LN-150 & upwards.)

Note:

1. Above-mentioned items are for standard structure, parts names and material for cooling tower.

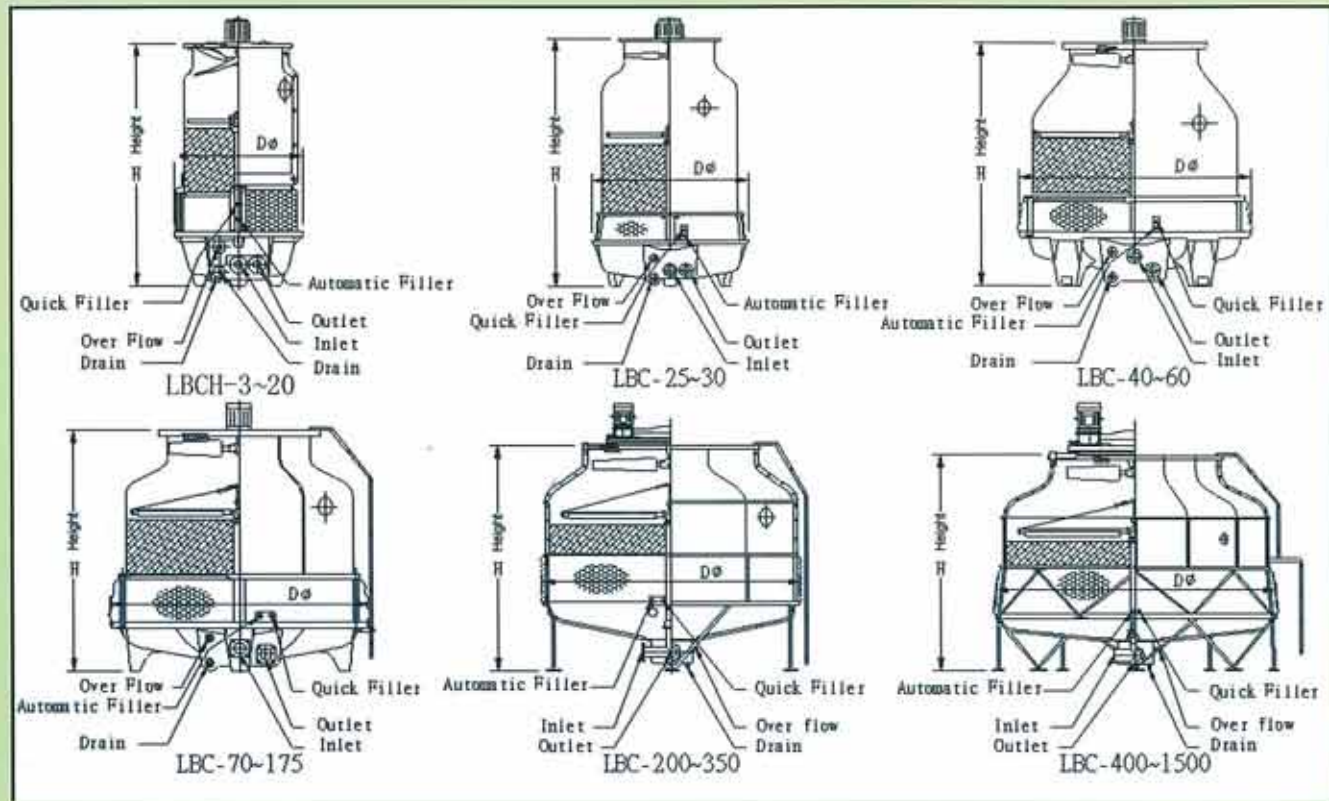
2. Optional material of components and optional accessories are as below:

- (1) Gear reducer.
- (2) Changing HDGS parts to SUS-304 parts.
- (3) Drift eliminator.
- (4) Air inlet baffle plate.
- (5) Channel base.
- (6) Vibration isolator.

If there's any need of above optional items, please let us know in advance in order to quote accordingly.



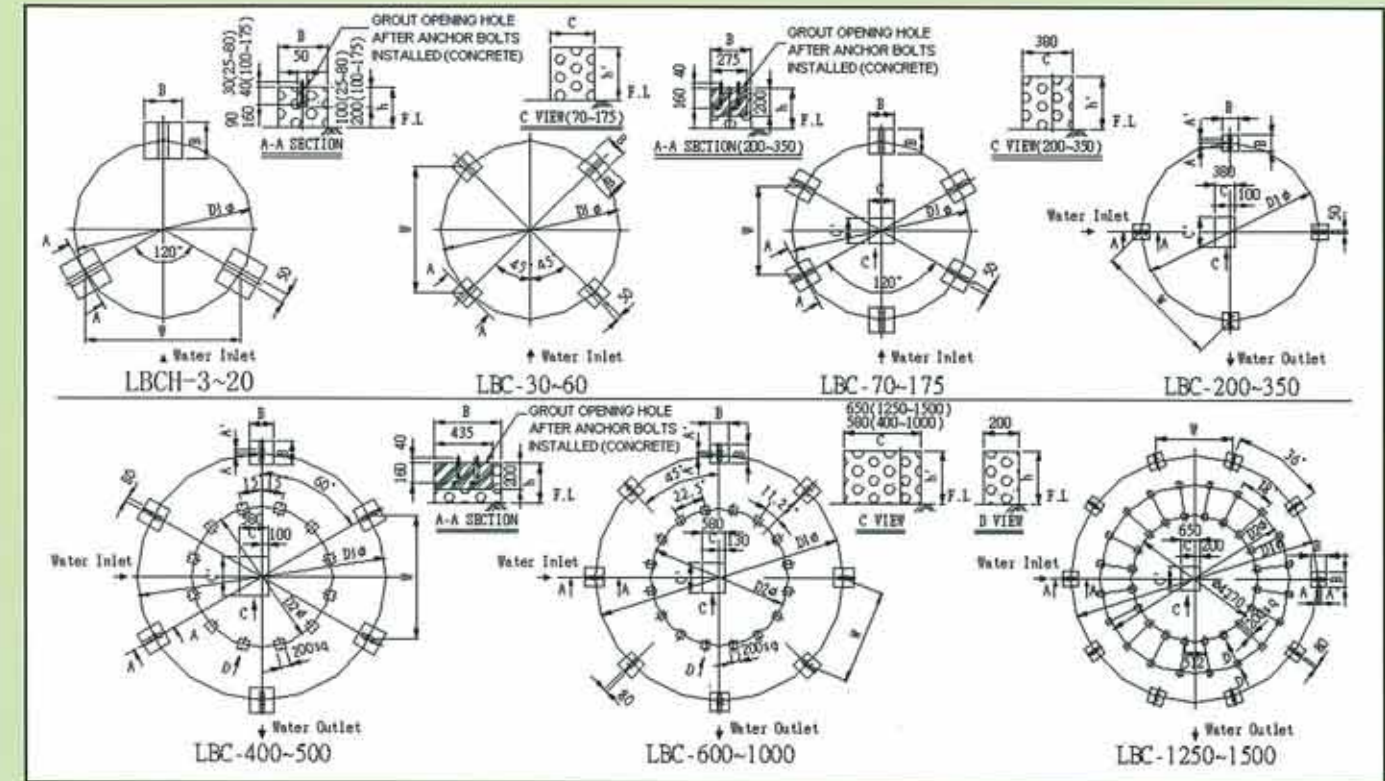
DIMENSION & STANDARD SPECIFICATION FOR LBCH-3~LBC-1500



Tower Model LBC	Cooling Capacity Kcal/Hr*1	Nominal Water Flow l/min	Dimensions mm		Fan Assembly			Pipe Connections(A) mm *2				Filler *3	
			H	D	Motor	Air	Fan D	INLET	OUTLET	DRAIN	OVER FLOW	Automatic (Ba)	Quick (Q)
			Height	Dia.	HP	Volume m3/min	mm						
H-3	11700	39	1410	750	1/6	25	500	40	40	20	25	15	15
H-5	19500	65	1410	750	1/6	60	500	40	40	20	25	15	15
H-8	31200	104	1690	860	1/6	75	500	40	40	25	25	15	15
H-10	39000	130	1690	860	1/4	100	500	40	40	25	25	15	15
H-15	58500	195	1940	1170	1/4	135	670	50	50	25	25	15	15
H-20	78000	260	1940	1170	1/2	180	670	50	50	25	25	15	15
25	97500	325	1800	1380	3/4	200	770	65	65	50	25	15	15
30	117000	390	1735	1580	1	225	770	65	65	50	25	15	15
40	156000	520	1890	1820	1 1/2	280	970	65	65	50	25	20	20
50	195000	650	1890	2000	1 1/2	330	970	80	80	50	25	20	20
60	234000	780	1895	2000	1 1/2	420	1170	80	80	50	25	20	20
70	273000	910	2045	2175	1 1/2	500	1170	100	100	50	25	20	25
80	312000	1040	2045	2175	2	540	1170	100	100	50	25	20	25
100	390000	1300	2235	2650	3	700	1470	100	100	50	25	25	25
125	487500	1625	2260	3050	3	830	1470	125	125	50	50	25	25
150	585000	1950	2315	3300	5	950	1750	125	125	50	50	25	25
175	682500	2275	2515	3300	5	1150	1750	125	125	50	50	25	25
200	780000	2600	2990	3770	5	1250	1750	150	150	50	50	32	32
225	877500	2925	3190	3770	7 1/2	1750	2360	150	150	50	50	32	32
250	975000	3250	3190	3770	7 1/2	1750	2360	200	200	50	50	32	32
300	1170000	3900	3350	4440	10	2200	2360	200	200	50	50	32	32
350	1365000	4550	3390	4790	10	2200	2360	200	200	50	50	32	32
400	1560000	5200	3890	5180	15	2600	2970	200	200	50	100	50	50
500	1950000	6500	3930	5580	15	2600	2970	250	250	50	100	50	50
600	2340000	7800	4360	6600	20	3750	3380	250	250	50	100	50	50
700	2730000	9100	4605	6600	20	3750	3380	250	250	50	100	50	50
800	3120000	10400	4945	7600	30	5000	3580	300	300	80	100	50	50
1000	3900000	13000	5145	7600	30	5000	3580	300	300	80	100	50	50
1250	4875000	16250	5870	8430	40	6200	4270	300	300	80	100	65	65
1500	5850000	19500	6095	8430	50	7500	4270	350	350	80	100	65	65

1. Cooling capacity is defined as circulating water flow at 13l/min/RT(IRT=3900Kcal/HR), cooled from 37°C to 32°C with 27°C wet bulb temperature.  
 2. 15 ↔1/2B · 20 ↔3/4B · 25 ↔1B · 32 ↔1 1/4B · 40 ↔1 1/2B · 50 ↔2B · 65 ↔2 1/2B · 80 ↔3B · 100 ↔4B · 125 ↔5B · 150 ↔6B · 200 ↔8B · 250 ↔10B · 300 ↔12B · 350 ↔14B ·  
 3. Ba : Automatic Filler, Q : Quick filler ·

RECOMMENDED CONCRETE FOUNDATION FOR LBCH-3~LBC-1500

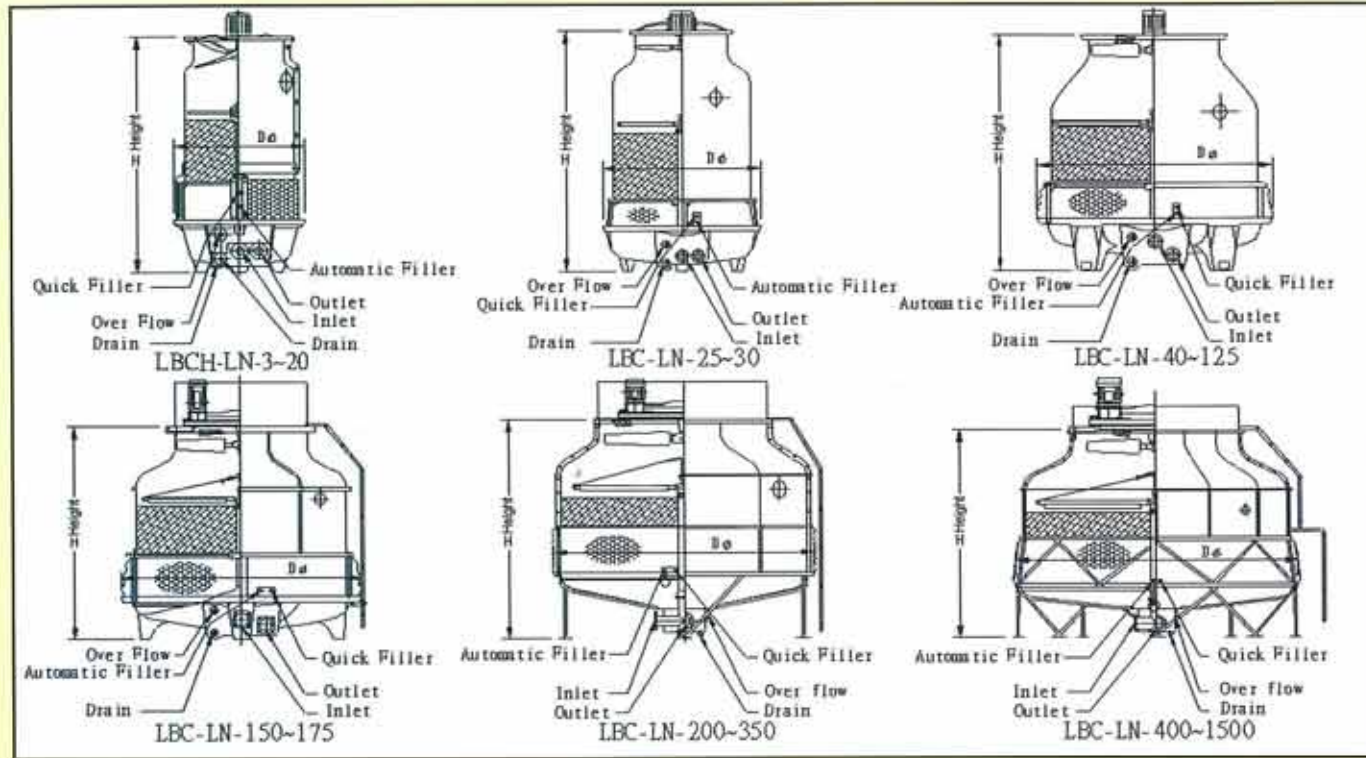


Tower Model LBC	Approx Wt.		Foundation Dimensions										Anchor Bolt			Pump Head *4 M			
	Dry Weight (kg)	Operating Weight (kg)	D1	D2	W	A	A'	B	C	C'	h	H'	Size mm(inch)	Length mm(inch)	Quantity (pcs)				
H-3	36	82	550	-	476	-	-	200	-	-	150	-	M12	1/2	120	5	3	1.5	
H-5	40	115	550	-	476	-	-	200	-	-	150	-	M12	1/2	120	5	3	1.5	
H-8	50	127	650	-	563	-	-	200	-	-	150	-	M12	1/2	120	5	3	1.7	
H-10	55	200	650	-	563	-	-	200	-	-	150	-	M12	1/2	120	5	3	1.7	
H-15	80	260	950	-	823	-	-	200	-	-	150	-	M12	1/2	120	5	3	2	
H-20	90	330	950	-	823	-	-	200	-	-	150	-	M12	1/2	120	5	3	2	
25	103	403	1120	-	970	-	-	200	-	-	150	-	M12	1/2	120	5	3	1.7	
30	115	488	1330	-	940	-	-	200	-	-	150	-	M12	1/2	120	5	4	1.8	
40	168	515	1470	-	1039	-	-	250	-	-	200	-	M12	1/2	120	5	4	2	
50	197	597	1680	-	1188	-	-	250	-	-	200	-	M12	1/2	120	5	4	2	
60	229	669	1680	-	1188	-	-	250	-	-	200	-	M12	1/2	120	5	4	2	
70	277	707	1760	-	880	-	-	250	250	250	200	300	M12	1/2	120	5	5	2	
80	292	722	1760	-	880	-	-	250	250	250	200	300	M12	1/2	120	5	5	2	
100	403	1073	2350	-	1175	-	-	300	300	300	300	400	M16	5/8	200	8	5	2.5	
125	466	1356	2620	-	1310	-	-	300	300	300	300	400	M16	5/8	200	8	5	3	
150	625	2605	2860	-	1430	-	-	300	400	400	300	400	M16	5/8	200	8	5	3	
175	713	2676	2860	-	1430	-	-	300	400	400	300	400	M16	5/8	200	8	5	3.2	
200	870	3460	3354	-	2372	65	65	300	280	100	580	300	400	M16	5/8	200	8	8	3.2
225	960	3520	3354	-	2372	65	65	300	280	100	580	300	400	M16	5/8	200	8	8	3.2
250	1030	3570	3354	-	2372	65	65	300	280	100	580	300	400	M16	5/8	200	8	8	3.6
300	1283	4543	3964	-	2803	70	70	300	280	100	580	300	400	M16	5/8	200	8	8	3.6
350	1362	4620	4297	-	3039	70	70	300	280	100	580	300	400	M16	5/8	200	8	8	4
400	2171	6811	5100	2900	2550	70	70	500	450	130	800	300	400	M20	3/4	200	8	12	4
500	2428	7068	5500	3100	2750	70	70	500	450	130	800	300	400	M20	3/4	200	8	12	4
600	3364	10774	6480	3600	2480	70	70	500	450	130	800	300	400	M20	3/4	200	8	16	5
700	3567	10967	6480	3600	2480	70	70	500	450	130	800	300	400	M20	3/4	200	8	16	5.5
800	4380	11980	7500	4155	2870	70	70	500	450	130	800	300	400	M20	3/4	200	8	16	6
1000	4636	12436	7500	4155	2870	70	70	500	450	130	800	300	400	M20	3/4	200	8	16	6
1250	6554	26064	8330	6400	2574	70	70	500	450	200	800	300	400	M20	3/4	200	8	20	6.5
1500	7000	26512	8330	6400	2574	70	70	500	450	200	800	300	400	M20	3/4	200	8	20	7

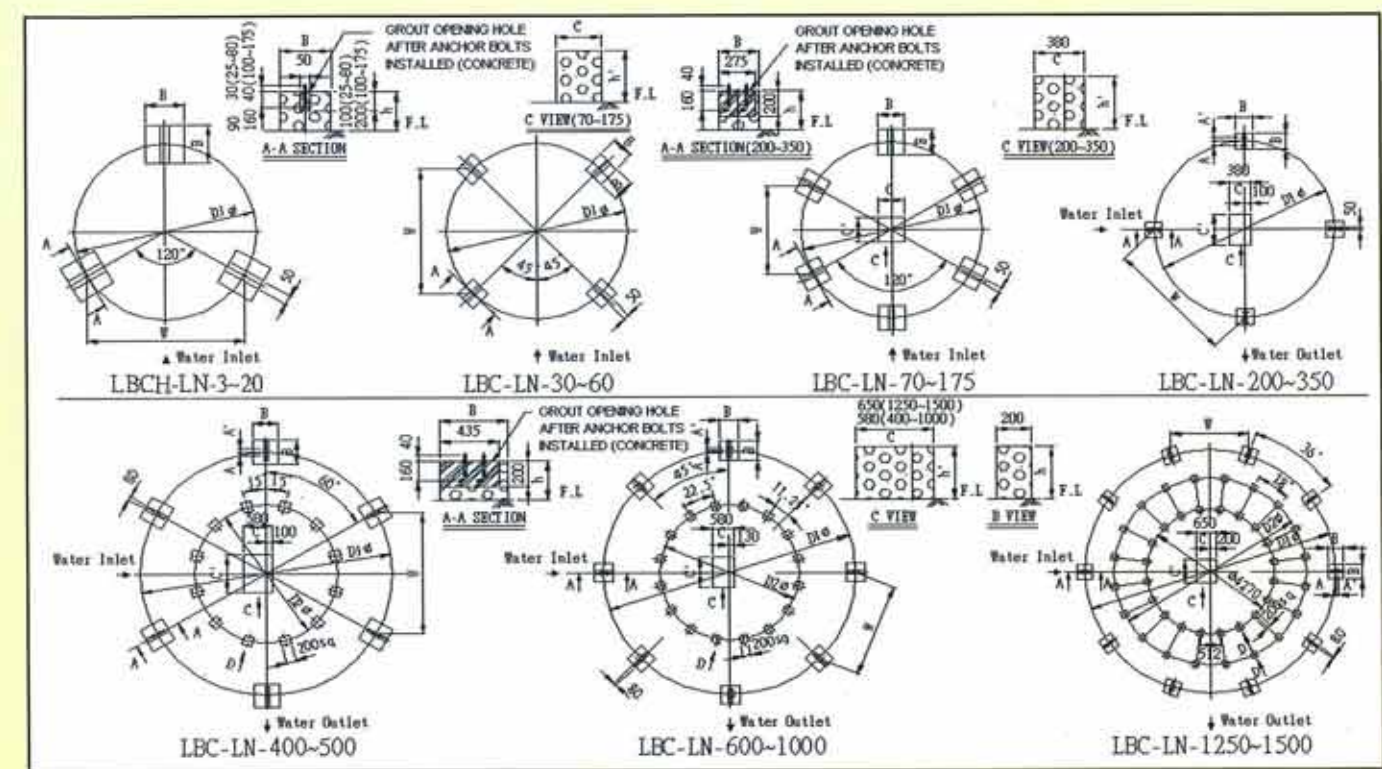
4. Total Pump Head: Piping Friction Loss + Chiller Pressure Loss + Tower Head.  
 5. We reserve the right to make change in the specifications and dimensions please contact Taipei head office or local offices for latest data.  
 6. When foundation is made, please make sure the level of foundation is horizontal.



**DIMENSION & STANDARD SPECIFICATION FOR LBCH-LN-3~LBC-LN-1500**



**RECOMMENDED CONCRETE FOUNDATION FOR LBCH-LN-3~LBC-LN-1500**



Tower Model LBC-LN	Cooling Capacity Kcal/Hr *1	Nominal Water Flow l/min	Dimensions mm		Fan Assembly			Pipe Connections(A) mm *2				Filler *3	
			H Height	D Dia.	Motor HP	Air Volume m3/min	Fan D φ mm	INLET	OUTLET	DRAIN	OVER FLOW	Automatic (Ba)	Quick (Q)
H-3	11700	39	1410	750	1/6	25	500	40	40	20	25	15	15
H-5	19500	65	1410	750	1/6	60	500	40	40	20	25	15	15
H-8	31200	104	1690	860	1/6	75	500	40	40	25	25	15	15
H-10	39000	130	1690	860	1/4	100	500	40	40	25	25	15	15
H-15	58500	195	1940	1170	1/4	135	670	50	50	25	25	15	15
H-20	78000	260	1940	1170	1/2	180	670	50	50	25	25	15	15
25	97500	325	1970	1380	3/4	160	770	65	65	50	25	15	15
30	117000	390	2105	1580	1	200	770	65	65	50	25	15	15
40	156000	520	2240	1820	1	260	970	65	65	50	25	20	20
50	195000	650	2240	2000	1	330	970	80	80	50	25	20	20
60	234000	780	2245	2000	1 1/2	420	1170	80	80	50	25	20	20
70	273000	910	2395	2175	1 1/2	450	1170	100	100	50	25	20	25
80	312000	1040	2395	2175	1 1/2	500	1170	100	100	50	25	20	25
100	390000	1300	2585	2650	2	630	1470	100	100	50	25	25	25
125	487500	1625	2610	3050	2	750	1470	125	125	50	50	25	25
150	585000	1950	2580	3300	5	950	2360	125	125	50	50	25	25
175	682500	2275	2780	3300	5	1150	2360	125	125	50	50	25	25
200	780000	2600	2990	3770	5	1250	2360	150	150	50	50	32	32
225	877500	2925	3054	3770	7 1/2	1750	2970	150	150	50	50	32	32
250	975000	3250	3300	3770	7 1/2	1750	2970	200	200	50	50	32	32
300	1170000	3900	3355	4440	10	2200	2970	200	200	50	50	32	32
350	1365000	4550	3461	4790	10	2200	2970	200	200	50	50	32	32
400	1560000	5200	4000	5180	15	2600	3380	200	200	50	100	50	50
500	1950000	6500	3935	5580	15	2600	3380	250	250	50	100	50	50
600	2340000	7800	4360	6600	20	3750	3580	250	250	50	100	50	50
700	2730000	9100	4605	6600	20	3750	3580	250	250	50	100	50	50
800	3120000	10400	4945	7600	30	5000	4270	300	300	80	100	50	50
1000	3900000	13000	5145	7600	30	5000	4270	300	300	80	100	50	50
1250	4875000	16250	5870	8430	40	6200	4270	300	300	80	100	65	65
1500	5850000	19500	6100	8430	50	7500	4270	350	350	80	100	65	65

1. Cooling capacity is defined as circulating water flow at 13l/min/RT(1RT=3900Kcal/HR), cooled from 37°C to 32°C with 27°C wet bulb temperature.  
 2.15 ↔ 1/2B · 20 ↔ 3/4B · 25 ↔ 1B · 32 ↔ 1 1/4B · 40 ↔ 1 1/2B · 50 ↔ 2B · 65 ↔ 2 1/2B · 80 ↔ 3B · 100 ↔ 4B · 125 ↔ 5B · 150 ↔ 6B · 200 ↔ 8B ·  
 250B ↔ 10 · 300 ↔ 12B · 350 ↔ 14B ·  
 3. Ba : Automatic Filler, Q : Quick filler ·

Tower Model LBC-LN	Approx Wt.		Foundation Dimensions										Anchor Bolt			Pump Head *4 M			
	Dry Weight (kg)	Operating Weight (kg)	D1 mm	D2 mm	W mm	A mm	A' mm	B mm	C mm	C' mm	h mm	h' mm	Size mm(inch)	Length mm(inch)	Quantity (pcs)				
H-3	39	85	550	-	476	-	-	200	-	-	150	-	M12	1/2	120	5	3	1.5	
H-5	43	118	550	-	476	-	-	200	-	-	150	-	M12	1/2	120	5	3	1.5	
H-8	54	131	650	-	563	-	-	200	-	-	150	-	M12	1/2	120	5	3	1.7	
H-10	59	204	650	-	563	-	-	200	-	-	150	-	M12	1/2	120	5	3	1.7	
H-15	86	266	950	-	823	-	-	200	-	-	150	-	M12	1/2	120	5	3	2	
H-20	96	336	950	-	823	-	-	200	-	-	150	-	M12	1/2	120	5	3	2	
25	136	505	1120	-	970	-	-	200	-	-	150	-	M12	1/2	120	5	3	2	
30	151	580	1330	-	940	-	-	200	-	-	150	-	M12	1/2	120	5	4	2.1	
40	220	620	1470	-	1039	-	-	250	-	-	200	-	M12	1/2	120	5	4	2.3	
50	302	690	1680	-	1188	-	-	250	-	-	200	-	M12	1/2	120	5	4	2.3	
60	327	990	1680	-	1188	-	-	250	-	-	200	-	M12	1/2	120	5	4	2.3	
70	384	1160	1760	-	880	-	-	250	250	250	200	300	M12	1/2	120	5	5	2.3	
80	441	1220	1760	-	880	-	-	250	250	250	200	300	M12	1/2	120	5	5	2.3	
100	535	1390	2350	-	1175	-	-	300	300	300	300	400	M16	5/8	200	8	5	2.8	
125	594	1720	2620	-	1310	-	-	300	300	300	300	400	M16	5/8	200	8	5	3	
150	730	3000	2860	-	1430	-	-	300	400	400	300	400	M16	5/8	200	8	5	3	
175	780	3300	2860	-	1430	-	-	300	400	400	300	400	M16	5/8	200	8	5	3.2	
200	885	3475	3354	-	2372	65	65	300	280	100	580	300	400	M16	5/8	200	8	8	3.2
225	1150	3710	3354	-	2372	65	65	300	280	100	580	300	400	M16	5/8	200	8	8	3.2
250	1680	4228	3354	-	2372	65	65	300	280	100	580	300	400	M16	5/8	200	8	8	3.6
300	1766	5028	3964	-	2803	70	70	300	280	100	580	300	400	M16	5/8	200	8	8	3.6
350	1936	5218	4297	-	3039	70	70	300	280	100	580	300	400	M16	5/8	200	8	8	4
400	2377	7026	5100	2900	2550	70	70	500	450	130	800	300	400	M20	3/4	200	8	12	4
500	2507	7156	5500	3100	2750	70	70	500	450	130	800	300	400	M20	3/4	200	8	12	4
600	3180	10566	6480	3600	2480	70	70	500	450	130	800	300	400	M20	3/4	200	8	16	5
700	3766	11166	6480	3600	2480	70	70	500	450	130	800	300	400	M20	3/4	200	8	16	5.5
800	4700	12300	7500	4155	2870	70	70	500	450	130	800	300	400	M20	3/4	200	8	16	6
1000	5500	13300	7500	4155	2870	70	70	500	450	130	800	300	400	M20	3/4	200	8	16	6
1250	6850	26370	8330	6400	2574	70	70	500	450	200	800	300	400	M20	3/4	200	8	20	6.5
1500	7500	27800	8330	6400	2574	70	70	500	450	200	800	300	400	M20	3/4	200	8	20	7

4. Total Pump Head: Piping Friction Loss + Chiller Pressure Loss + Tower Head.  
 5. We reserve the right to make change in the specifications and dimensions please contact our agent for latest data.  
 6. When foundation is made, please make sure the level of foundation is horizontal.



## LBC & LBC-LN SELECTION CHART

▼ STANDARD DESIGN TEMP CONDITIONS

Unit : l/min

W.B	27°C					28°C					29°C					30°C					31°C							
	5					5					5					5					5							
RANGE°C																												
INLET °C	38	37	36	35	38	37	36	39	38	37	40	39	38	41	40	39	38	37	36	39	38	37	40	39	38	41	40	39
OUTLET °C	38	37	36	35	38	37	36	39	38	37	40	39	38	41	40	39	38	37	36	39	38	37	40	39	38	41	40	39
W/P	3	3	3	3	3	3	3	3	3	3	3	3	3	3	3	3	3	3	3	3	3	3	3	3	3	3	3	3
MODEL	33	32	31	30	33	32	31	34	33	32	35	34	33	36	35	34	33	32	31	34	33	32	35	34	33	36	35	34
LBC & LN																												
H-3	48	39	31	23	41	33	25	44	35	27	47	37	28	50	40	30												
H-5	81	65	50	37	69	54	40	74	58	43	79	62	46	85	66	49												
H-8	128	104	82	61	111	87	65	118	93	70	126	99	75	134	106	80												
H-10	160	130	102	76	139	109	81	148	116	87	157	124	93	168	132	99												
H-15	239	195	154	116	208	164	123	221	175	132	235	186	140	251	199	150												
H-20	319	260	205	154	277	219	165	295	233	176	314	248	187	334	265	200												
25	395	325	259	197	345	275	209	367	293	223	390	312	238	415	332	253												
30	472	390	312	239	414	332	254	440	353	270	467	375	288	496	399	306												
40	626	520	419	323	551	445	343	585	472	365	620	501	388	658	532	412												
50	779	650	527	409	688	559	434	729	592	461	773	628	490	819	667	520												
60	939	780	629	484	827	667	515	877	708	547	930	752	582	987	799	619												
70	1098	910	732	563	965	777	598	1024	825	636	1087	876	676	1153	931	720												
80	1249	1040	841	651	1102	892	691	1168	946	734	1238	1004	780	1313	1066	829												
100	1566	1300	1048	807	1378	1112	858	1462	1180	912	1551	1253	969	1645	1331	1031												
125	1949	1625	1316	1021	1721	1396	1084	1824	1480	1151	1933	1570	1223	2049	1666	1299												
150	2328	1950	1588	1239	2064	1682	1314	2185	1782	1394	2313	1889	1480	2450	2002	1571												
175	2726	2275	1845	1433	2409	1956	1521	2552	2074	1615	2704	2200	1715	2866	2333	1821												
200	3101	2600	2120	1658	2751	2245	1758	2911	2378	1864	3082	2520	1978	3263	2671	2099												
225	3551	2925	2335	1779	3106	2482	1893	3300	2639	2016	3507	2807	2147	3727	2987	2287												
250	3914	3250	2619	2018	3446	2779	2145	3654	2950	2279	3877	3133	2423	4113	3327	2577												
300	4715	3900	3129	2399	4138	3323	2551	4392	3531	2713	4663	3752	2887	4951	3988	3072												
350	5429	4550	3707	2897	4815	3927	3072	5096	4161	3259	5396	4409	3458	5713	4673	3670												
400	6224	5200	4221	3283	5506	4474	3484	5832	4744	3699	6178	5030	3927	6546	5335	4171												
500	7600	6500	5431	4380	6850	5727	4625	7220	6042	4884	7613	6375	5160	8029	6729	5452												
600	9302	7800	6359	4973	8253	6736	5273	8734	7135	5593	9246	7561	5934	9790	8013	6297												
700	10679	9100	7568	6068	9597	7988	6413	10123	8434	6778	10681	8906	7166	11272	9407	7577												
800	12403	10400	8479	6631	11004	8981	7031	11646	9514	7458	12328	10081	7912	13054	10684	8396												
1000	15124	13000	10931	8893	13686	11517	9379	14412	12137	9893	15180	12793	10439	15993	13487	11017												
1250	18885	16250	13684	11153	17104	14413	11759	18007	15185	12401	18963	16002	13082	19975	16867	13803												
1500	22686	19500	16397	13339	20529	17276	14068	21618	18205	14840	22770	19189	15659	23990	20231	16526												

Note :

1. Ambient wet bulb temperature (W.B.) will affect outlet temperature of cooling tower. When you select the model of cooling tower, please take ambient wet bulb temperature into consideration to decide the model.
2. Selection Factors:
  - (1) Total Heat Load : Kcal/HR
  - (2) Flow Rate : M<sup>3</sup>/HR
  - (3) Inlet Temp. : °C
  - (4) Outlet Temp. : °C
  - (5) Wet Bulb Temp. : °C
  - (6) Motor Voltage & Frequency
  - (7) Site Condition & Area Available
  - (8) Circulating Water Quality
3. For other conditions of water flow and temperature, please contact our Taipei head office or our local offices.

## QUALITY AWARDS



CE CERTIFICATE



XIAMEN LIANG CHI IS AWARDED THE CERTIFICATION OF ISO-9001



SHANGHAI LIANG CHI IS AWARDED THE CERTIFICATION OF ISO-9001



AWARDED THE CERTIFICATION OF ISO-9001 QUALITY SYSTEM



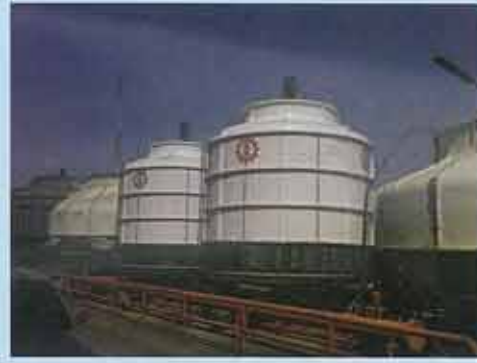
UL



LBC SERIES TYPICAL REFERENCES



THAILAND INDEX MALL LBC-T-700 X 2 SETS



THAILAND THAI AIRWAYS LBC-T-500M X 2 SETS



THAILAND THAI POWER SUPPLY LBC-T-1500 X 1 SET



THAILAND YANHEE HOSPITAL LBC-T-600 X 3 SETS



VIETNAM KS MAJESTY LBC-200 X 2 SETS



VIETNAM PETROVIETNAM TOWER LBC-500 X 1 SET



VIETNAM PETROVIETNAM TOWER LBC-LN-350 X 1 SET



VIETNAM TAN HIEP PHAT CO., LTD LBC-250 X 22 SETS



MALAYSIA FOCUS LUMBER LBC-1000 WITHOUT BASIN X 3 SETS



MALAYSIA IMBI PLAZA LBC-500 X 2 SETS



MALAYSIA KAWAGUCHI MANUFACTURING LBC-150 X 2 SETS



MALAYSIA PUSAT BANDAR DAMANSARA LBC-350 X 4 SETS



PHILIPPINES SHANGRI-LA SHOPPING MALL LBC-1000 X 5 SETS



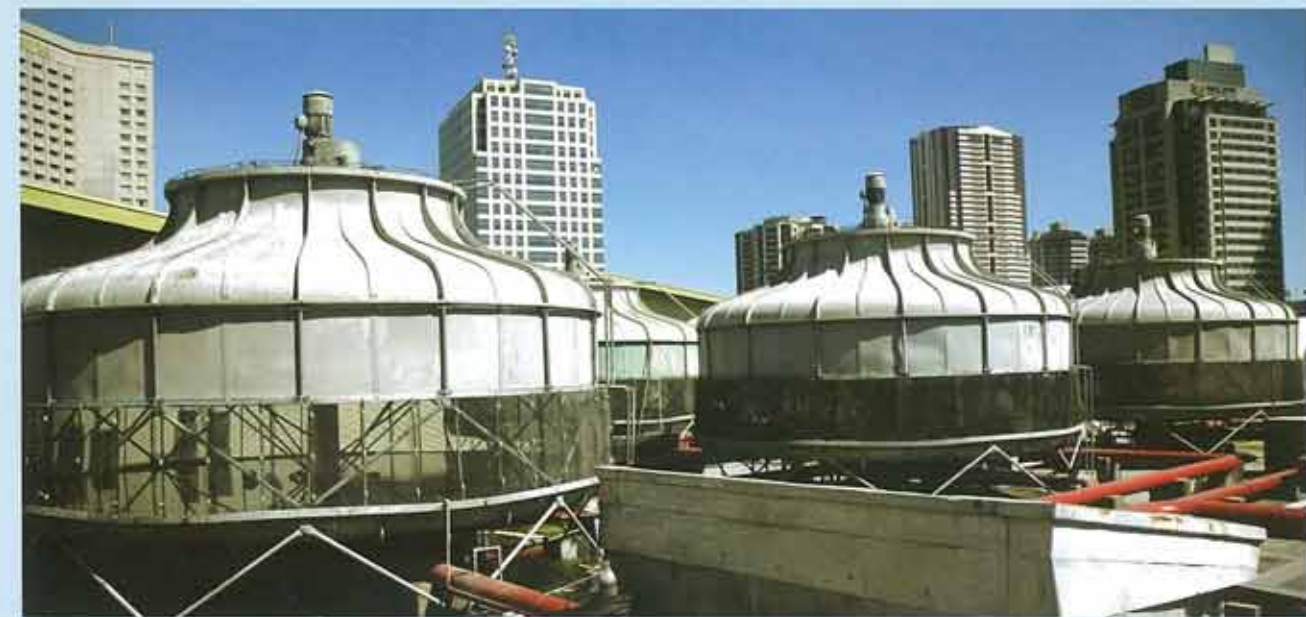
SINGAPORE JALAN BESAR PLAZA LBC-250 X 2 SETS



TAIWAN FAR EAST DEPARTMENT STORE LBC-LN-500 X 1 SET & LBC-LN-800 X 1 SET



SINGAPORE LBC-LN-200 X 1 SET



PHILIPPINES LANDMARK CORP. DEPARTMENT STORE LBC-800 X 4 SETS