



POSITIVE PRESSURE DAMPER PRESSURE RELIEF DAMPER



KYODO-ALLIED TECHNOLOGY PTE LTD

8 Pandan Crescent #01-06, Singapore 128464

Tel: (65) 6265 1311 Fax: (65) 6265 8100

Website: www.kyodo.com.sg



POSITIVE PRESSURE DAMPER / PRESSURE RELIEF DAMPER

MODEL: KBD

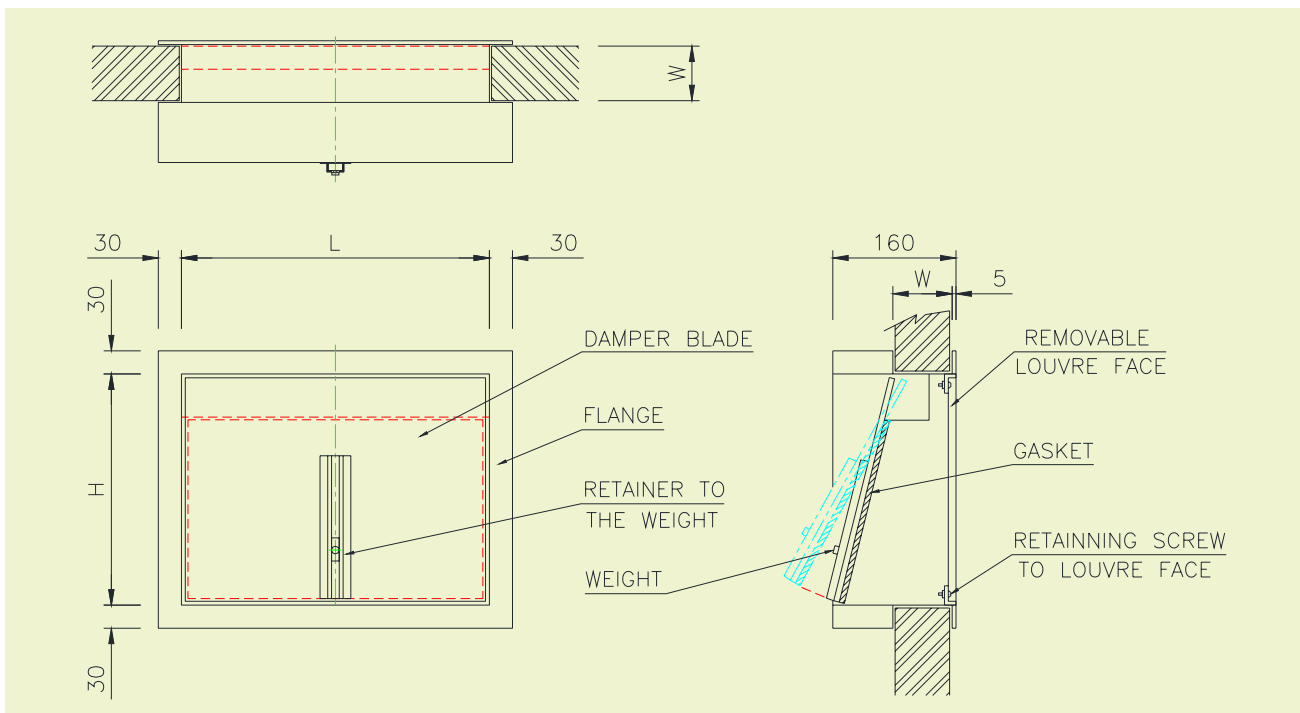
This is used to maintain the inside pressure of a cleanroom.

In cleanrooms and bio-cleanrooms, positive pressure is necessary to prevent intrusion of contaminated air. On the other hand, if the internal pressure is too high it causes problems opening or closing the doors.

The KYODO KBD Type Positive Pressure Damper (Pressure relief damper) allows accurate control of the internal pressure in the cleanroom to a constant positive pressure. The pressure can easily be adjusted by adjusting the position of the weight on the damper blade.



EXTERNAL DIMENSIONS



STANDARD SPECIFICATION

| SPECIFICATION | MODEL | KBD-5 | KBD-10 | KBD-15 | KBD-20 |
|------------------------------------|-------|---|-----------------------|-----------------------|-----------------------|
| ADJUSTABLE PRESSURE DIFFERENCE | | 5 - 35 Pa | | | |
| AIR FLOW RATE | | 5m ³ /Min | 10m ³ /Min | 15m ³ /Min | 20m ³ /Min |
| SIZE (L x H) (mm) | | 300 x 200 | 400 x 300 | 500 x 300 | 600 x 300 |
| CONSTRUCTION | | ALUMINUM / STEEL SHEET METAL / SUS (optional) | | | |
| | | BALANCER: MOVABLE FINE ADJUSTABLE BALANCER | | | |
| FINISHING | | POWDER BAKED EPOXY | | | |
| APPLICABLE WALL THICKNESS (W) (mm) | | TO SUIT (CUSTOMER TO SPECIFY) | | | |
| WEIGHT | | 4 kg | 6 kg | 8 kg | 10 kg |

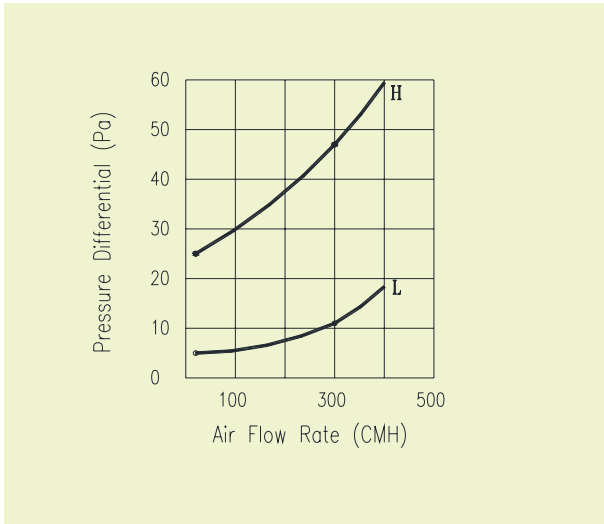
KBD-1



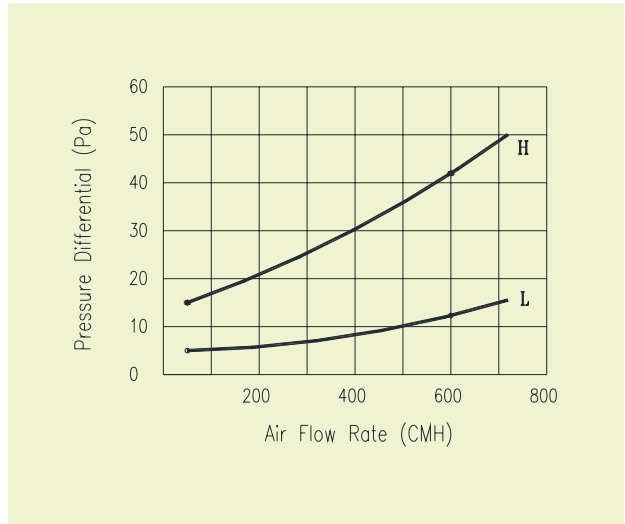
KYODO reserves the right to make changes without written notice. The actual product might differ from pictures shown. Drawings are not meant to show exact details of every aspects of the product.

POSITIVE PRESSURE DAMPER / PRESSURE RELIEF DAMPER

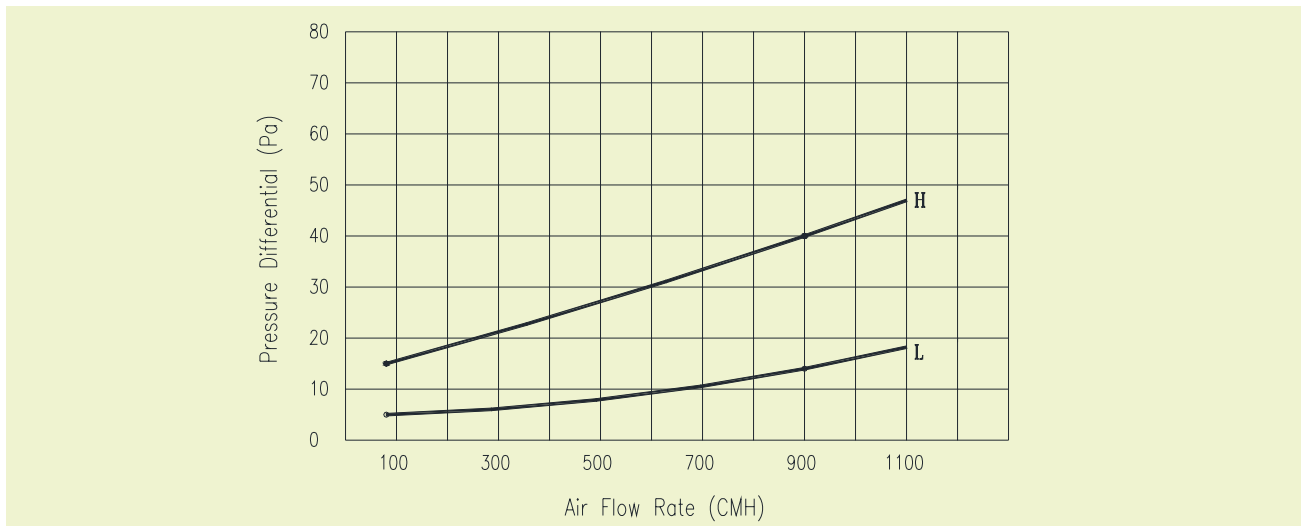
PERFORMANCE CURVE: KBD-5



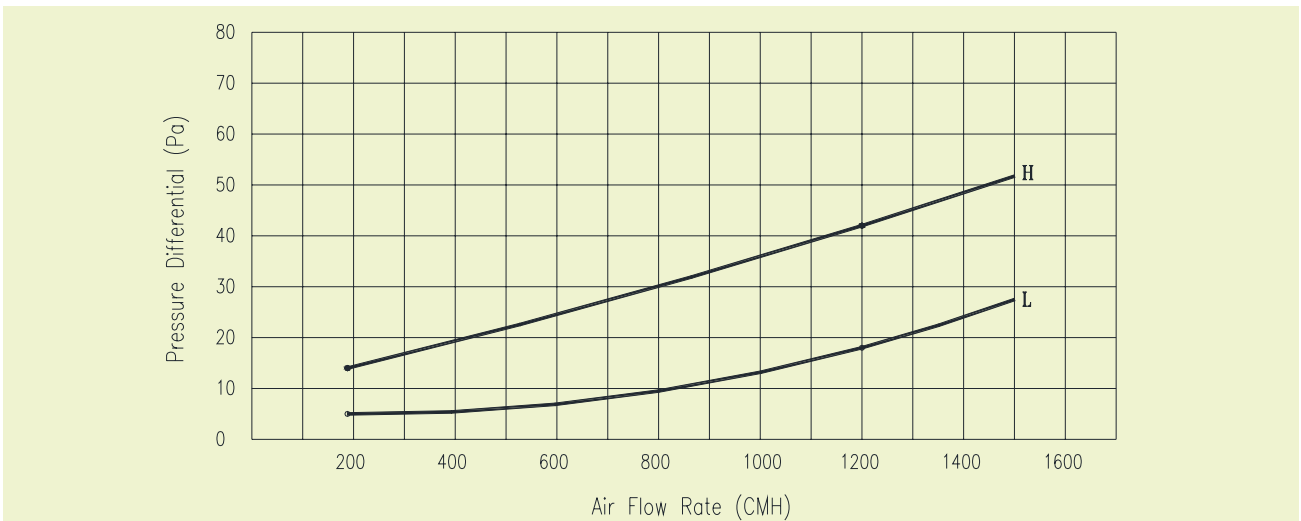
PERFORMANCE CURVE: KBD-10



PERFORMANCE CURVE: KBD-15



PERFORMANCE CURVE: KBD-20



KBD-2

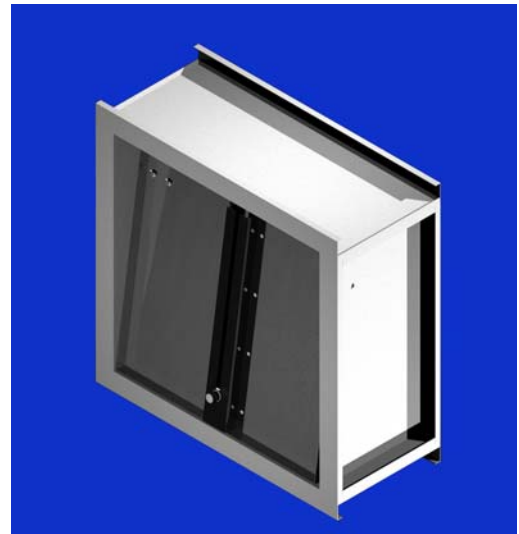
POSITIVE PRESSURE DAMPER / PRESSURE RELIEF DAMPER

MODEL: KBD-D

Kyodo KBD-D type positive pressure damper (Pressure relief damper) is commonly used to relieve built up pressure in zoned duct system.

If a specified pressure difference is exceeded, the damper blade automatically open to relieve the excess pressure.

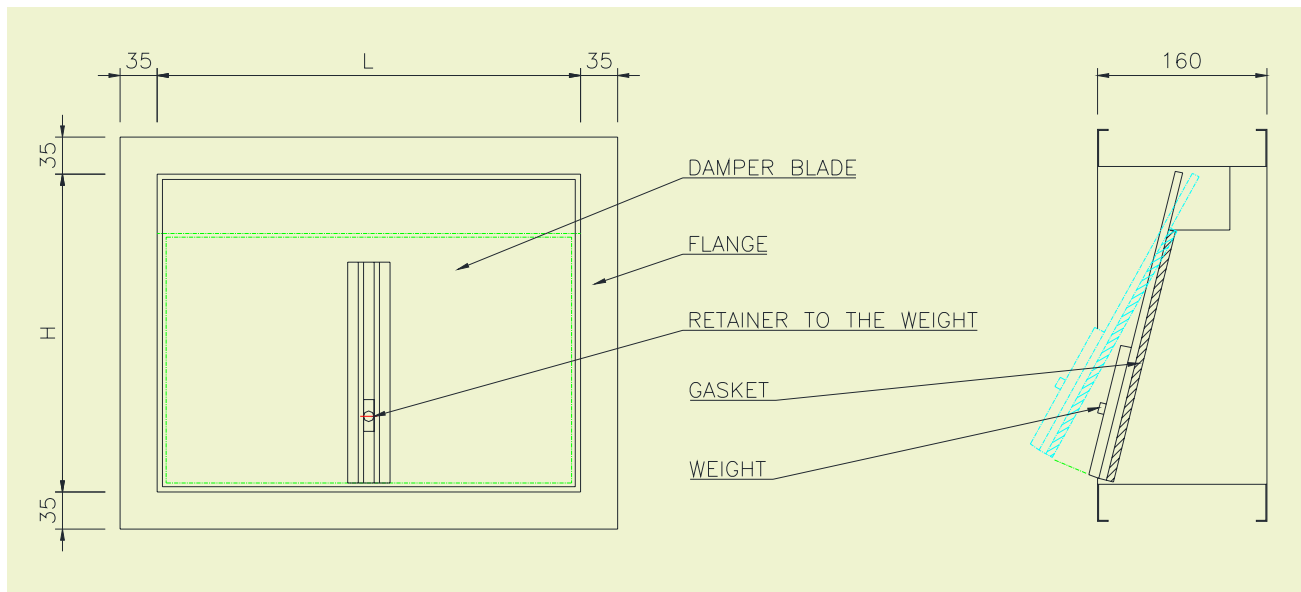
It also can be used to isolate individual sections in ventilation system.



FEATURES

- ☞ Counter weight design, complete with weight retainer for convenient of site adjustment.
- ☞ Provide flange connection.

EXTERNAL DIMENSIONS



STANDARD SPECIFICATION

| SPECIFICATION | MODEL | KBD-D-5 | KBD-D-10 | KBD-D-15 | KBD-D-20 |
|--------------------------------|-------|---|-----------------------|-----------------------|-----------------------|
| ADJUSTABLE PRESSURE DIFFERENCE | | 5 - 35 Pa | | | |
| AIR FLOW RATE | | 5m ³ /Min | 10m ³ /Min | 15m ³ /Min | 20m ³ /Min |
| SIZE (L x H) (mm) | | 300 x 200 | 400 x 300 | 500 x 300 | 600 x 300 |
| CONSTRUCTION | | ALUMINUM / STEEL SHEET METAL / SUS (optional) | | | |
| | | BALANCER: MOVABLE FINE ADJUSTABLE BALANCER | | | |
| FLANGE | | STANDARD 35 mm | | | |

*Custom-built dimensions & specifications are also acceptable.

KBD-3



KYODO reserves the right to make changes without written notice. The actual product might differ from pictures shown. Drawings are not meant to show exact details of every aspects of the product.

POSITIVE PRESSURE DAMPER / PRESSURE RELIEF DAMPER

MODEL: KBD-M

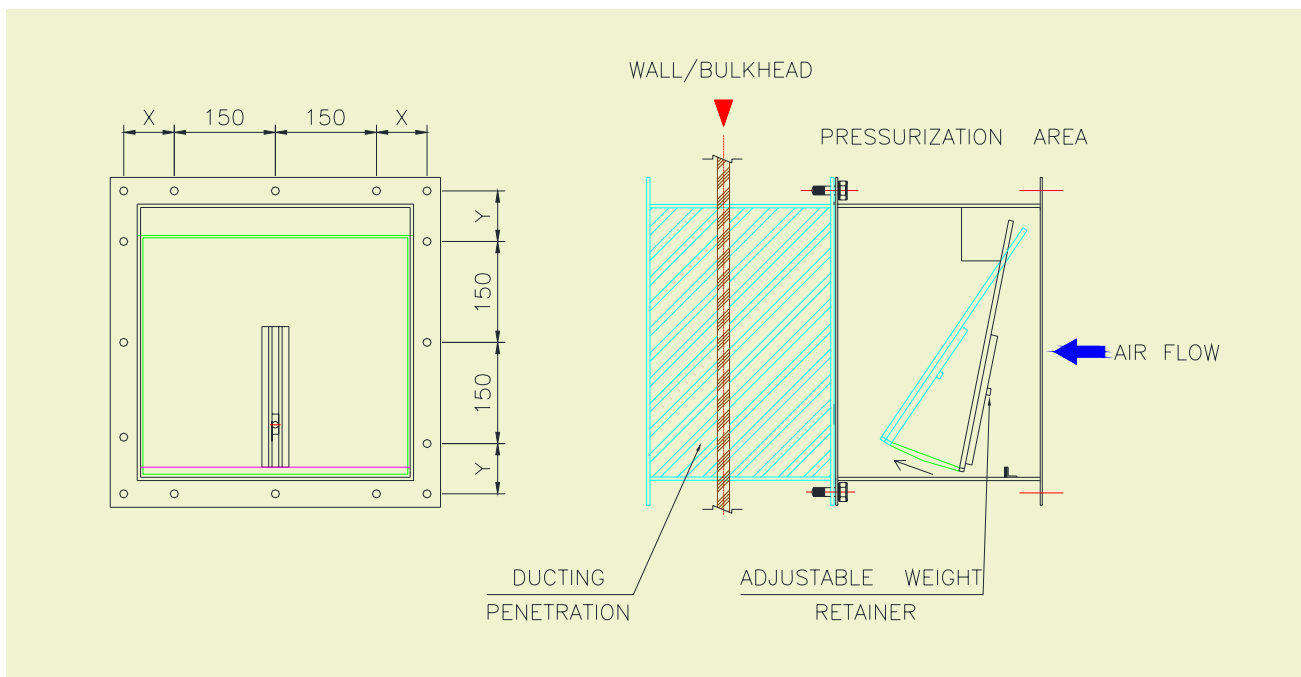
Positive pressure damper (Pressure relief damper) is used to maintain the inside pressure of an area / compartment to prevent hazardous gas and dust ingress.

Counter weight design, complete with weight retainer for convenient of site adjustment.

Provide flange connection. Drilling holes pattern according to ISO standard, unless specify.



EXTERNAL DIMENSIONS



STANDARD SPECIFICATION

| SPECIFICATION | MODEL | KBD-M |
|--------------------------------|-------|--|
| ADJUSTABLE PRESSURE DIFFERENCE | | 20 - 60 Pa |
| STANDARD DEPTH | | 300 mm |
| CONSTRUCTION | | GALVANIZED STEEL / SUS 304 / SUS 316 |
| | | COUNTER WEIGHT CONSTRUCTION C/W WEIGHT RETAINER |
| FLANGE | | STANDARD 35 mm |
| WEIGHT | | 8 kg [G.I.] / 12 kg [SUS] (BASED ON SIZE 400 x 400 mm) |

*Custom-built dimensions & specifications are also acceptable.

KBD-4



KYODO reserves the right to make changes without written notice. The actual product might differ from pictures shown. Drawings are not meant to show exact details of every aspects of the product.



KYODO-ALLIED TECHNOLOGY PTE LTD

Sales Office and Factory:
8 Pandan Crescent #01-06, Singapore 128464
Tel: (65)6265-1311 Fax: (65)6265-8100
Website: www.kyodo.com.sg

KYODO-ALLIED (MALAYSIA) SDN. BHD.

K.L. Office:
Tel: (03)7958-7641 / 7958-7724
Fax: (03)7958-7614

J.B. Office:
Lot 854 Jalan Sengkang,
81000 Kulai, Johor, Malaysia
Tel: (07)6637-467-9 Fax: (07)6637-290

KYODO-ALLIED (THAILAND) CO., LTD.

Bangkok Office:
1475 Soi Ladprow 94 (Phanjamit), Ladprow Road,
Wongthonglang, Bangkok 10310, Thailand
Tel: (02)559-2790 / 559-2791
Fax: (02)559-2792

KYODO-ALLIED TRADING (SHANGHAI) CO., LTD.

Room 2509 Zhong Cheng Building,
No. 818 Dong Fang Road,
Shanghai Pudong 200122 China
Tel: (86)21-6360-7138 Fax: (86)21-6360-7137