

FIRE DAMPER

FEATURES

- Frame constructed of high quality mild steel with flange.
- Fusible Link is 72 Degrees C as standard.
- Vertical or Horizontal mounting.
- Min. size is 150 x 150 (mm), Dia.150 (mm).
- Max. size for single section is 1000 x 1000 (mm), Dia.700 (mm).
- Unless specified, otherwise damper comes without matching flanges.
- Standard depth of damper is 200mm.

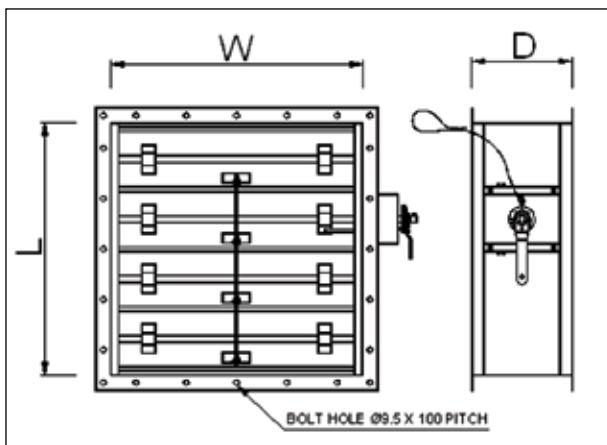
FINISH

Etching primer green

SPECIFICATION & DIMENSION

Material:

- Casing: 5.0mm steel plate
- Blade: 3.0mm steel plate
- Blade Shaft: Ø12.7mm steel round bar
- In case of width beyond 1000mm, center mullion is required.



MODEL: FD

A) With DNV certification



Notified Body No.: 0575



B) Without DNV certification

