



CLEAN SUPPLY UNIT



KYODO-ALLIED TECHNOLOGY PTE LTD

8 Pandan Crescent #01-06, Singapore 128464

Tel: (65) 6265 1311 Fax: (65) 6265 8100

Website: www.kyodo.com.sg

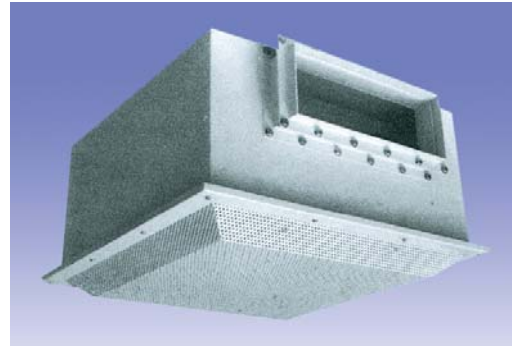


CLEAN SUPPLY UNIT

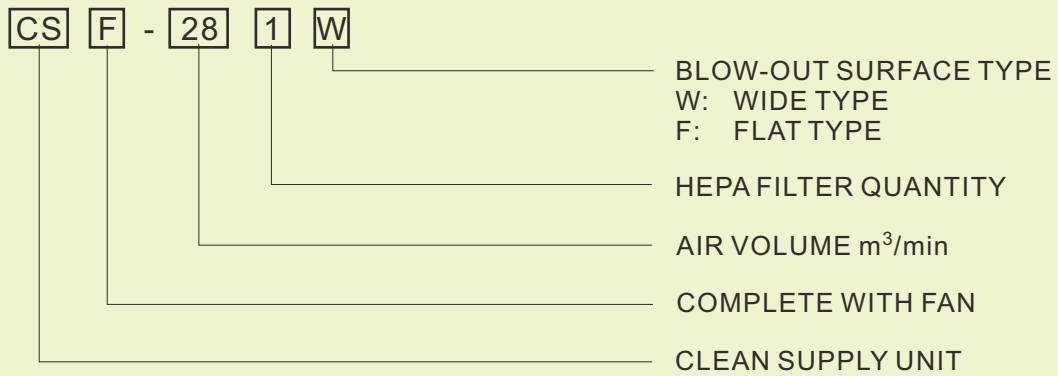
CLEAN SUPPLY UNIT comprises of concealed ceiling mount HEPA filter unit. It creates a clean environment which is dust free and bacteria free. It is suitable for cleanroom with turbulent flow.

Two choices: ATTACHED WITH FAN or FILTER ONLY.

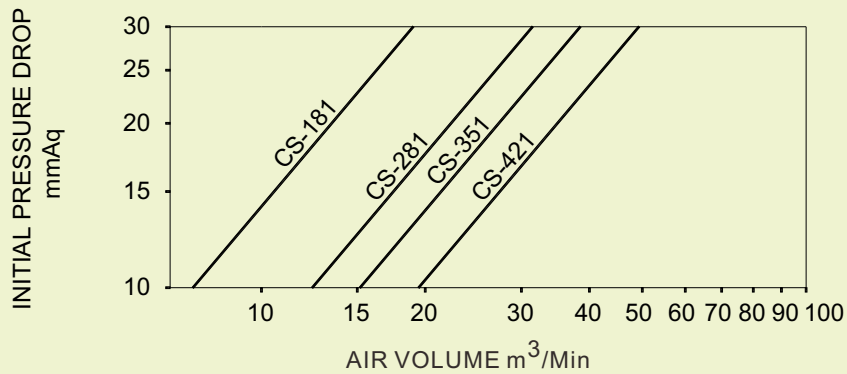
Two type of discharge: FLAT or WIDE type.



TYPE IDENTIFICATION



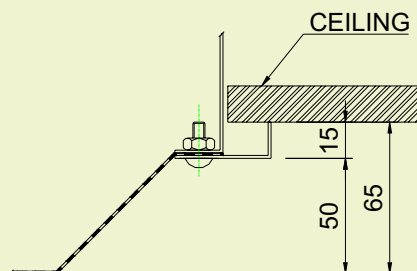
AIR HANDLING VOLUME AND INITIAL PRESSURE DROP



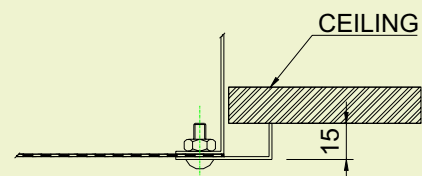
The choice of fanless model depends on stated air volume.

BLOW-OUT SURFACE TYPE

WIDE TYPE



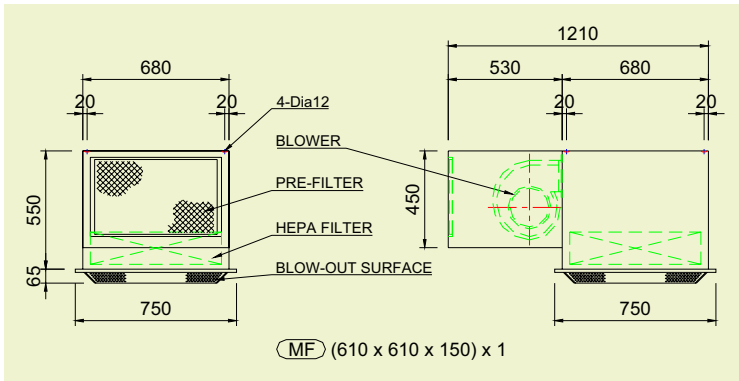
FLAT TYPE



CS-1

CLEAN SUPPLY UNIT COMPLETE WITH FAN

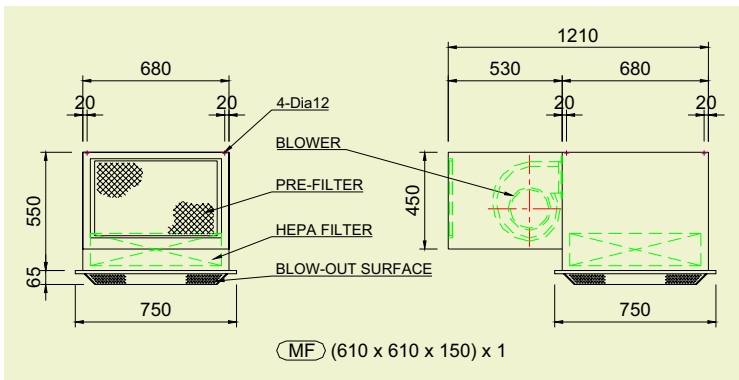
CSF -181W



SPECIFICATION

AIR VOLUME	18 m ³ /Min
HEPA FILTER	99.99% @ 0.3µm PARTICLE
	610 x 610 x 150 mm
	1 pc
PRE FILTER	NON WOVEN
CASING MATERIAL	STEEL SHEET METAL
BLOW-OUT SURFACE	PERFORATED STEEL SHEET
FINISHING	POWDER BAKED EPOXY
POWER SUPPLY	AC, 1PH, 230V, 50/60Hz
POWER CONSUMPTION	380/498 W
WEIGHT	65 kg

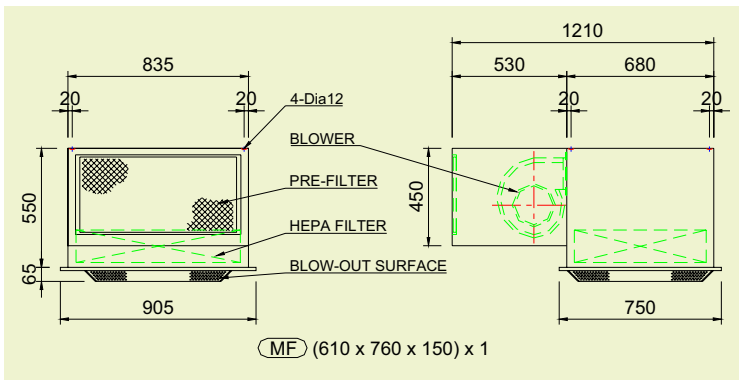
CSF -281W



SPECIFICATION

AIR VOLUME	28 m ³ /Min
HEPA FILTER	99.99% @ 0.3µm PARTICLE
	610 x 610 x 150 mm
	1 pc
PRE FILTER	NON WOVEN
CASING MATERIAL	STEEL SHEET METAL
BLOW-OUT SURFACE	PERFORATED STEEL SHEET
FINISHING	POWDER BAKED EPOXY
POWER SUPPLY	AC, 1PH, 230V, 50/60Hz
POWER CONSUMPTION	490/525 W
WEIGHT	75 kg

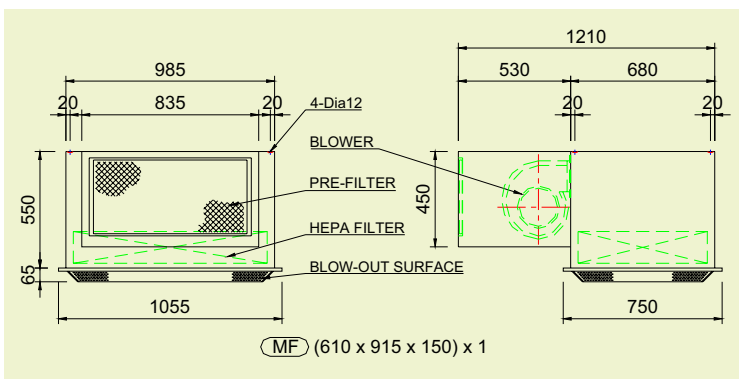
CSF -351W



SPECIFICATION

AIR VOLUME	35 m ³ /Min
HEPA FILTER	99.99% @ 0.3µm PARTICLE
	610 x 760 x 150 mm
	1 pc
PRE FILTER	NON WOVEN
CASING MATERIAL	STEEL SHEET METAL
BLOW-OUT SURFACE	PERFORATED STEEL SHEET
FINISHING	POWDER BAKED EPOXY
POWER SUPPLY	AC, 1PH, 230V, 50/60Hz
POWER CONSUMPTION	650 W
WEIGHT	85 kg

CSF -421W



SPECIFICATION

AIR VOLUME	42 m ³ /Min
HEPA FILTER	99.99% @ 0.3µm PARTICLE
	610 x 915 x 150 mm
	1 pc
PRE FILTER	NON WOVEN
CASING MATERIAL	STEEL SHEET METAL
BLOW-OUT SURFACE	PERFORATED STEEL SHEET
FINISHING	POWDER BAKED EPOXY
POWER SUPPLY	AC, 1PH, 230V, 50/60Hz
POWER CONSUMPTION	1060/1085 W
WEIGHT	95 kg

*Custom-built dimensions & specifications are also acceptable.

CS-3



KYODO-ALLIED TECHNOLOGY PTE LTD

Sales Office and Factory:
8 Pandan Crescent #01-06, Singapore 128464
Tel: (65)6265-1311 Fax: (65)6265-8100
Website: www.kyodo.com.sg

KYODO-ALLIED (MALAYSIA) SDN. BHD.

K.L. Office:
Tel: (03)7958-7641 / 7958-7724
Fax: (03)7958-7614

J.B. Office:
Lot 854 Jalan Sengkang,
81000 Kulai, Johor, Malaysia
Tel: (07)6637-467-9 Fax: (07)6637-290

KYODO-ALLIED (THAILAND) CO., LTD.

Bangkok Office:
1475 Soi Ladprow 94 (Phanjamit), Ladprow Road,
Wongthonglang, Bangkok 10310, Thailand
Tel: (02)559-2790 / 559-2791
Fax: (02)559-2792

KYODO-ALLIED TRADING (SHANGHAI) CO., LTD.

Room 2509 Zhong Cheng Building,
No. 818 Dong Fang Road,
Shanghai Pudong 200122 China
Tel: (86)21-6360-7138 Fax: (86)21-6360-7137