



CLEAN BOOTH



KYODO-ALLIED TECHNOLOGY PTE LTD

8 Pandan Crescent #01-06, Singapore 128464

Tel: (65) 6265 1311 Fax: (65) 6265 8100

Website: www.kyodo.com.sg



CLEAN BOOTH

CLEAN BOOTH is constructed of steel structure with a vinyl transparent curtain as enclosure. This equipment is complete with HEPA filter module mounted on ceiling structure for downward vertical clean air flow. It facilitates the creation of a clean environment of a higher level of cleanliness within a cleanroom area.

FEATURE

- Low installation cost, modular design for fast and easy assembly.
- Compact design, light weight complete with castor wheel for mobility, four sides vinyl transparent curtain.
- Can be set up by modulars for larger clean environment area.
- Can achieve ISO Class 5 - ISO Class 7 (Class 100 - Class 10000) cleanliness with easy assembly.
- Energy saving design for purpose of localised clean environment.



TYPE IDENTIFICATION

CBU 2 - 21 12

EXTERNAL WIDTH

EXTERNAL LENGTH

CLEANLINESS

2 - ISO CLASS 5 (CLASS 100)

3 - ISO CLASS 6 (CLASS 1000)

4 - ISO CLASS 7 (CLASS 10000)

CLEAN BOOTH

CBU-1

CLEAN BOOTH

GENERAL SPECIFICATION

SPECIFICATION \ MODEL	CBU 2 - □□□□	CBU 3 - □□□□	CBU 4 - □□□□
CLEANLINESS	ISO CLASS 5 (CLASS 100)	ISO CLASS 6 (CLASS 1000)	ISO CLASS 7 (CLASS 10000)
AIR CHANGE / HOUR	APPROX. 425	APPROX. 160	APPROX. 70
HEPA FILTER EFFICIENCY	99.99% @ 0.3 μm AND ABOVE		
PRE FILTER	NON-WOVEN		
CONSTRUCTION	CASING - STEEL SHEET METAL		
	ENCLOSURE - VINYL CURTAIN		
FINISHING	POWDER BAKED EPOXY FINISHING		
POWER SUPPLY	AC, 1 PH, 230V, 50 / 60 Hz		

CBU 2 (ISO CLASS 5) SPECIFICATION

SPECIFICATION \ MODEL	2112	2124	2136	4224	4236
AIR VOLUME	40m ³ /Min	80m ³ /Min	120m ³ /Min	160m ³ /Min	240m ³ /Min
HEPA FILTER QUANTITY	3	6	9	12	18
LIGHT FITTING	(40W x 1Tube)x2	(40W x 1Tube)x4	(40W x 1Tube)x6	(40W x 1Tube)x8	(40W x 1Tube)x10
POWER CONSUMPTION	APPROX. 600W	APPROX.1200W	APPROX.1800W	APPROX.2400W	APPROX.3600W
POWER SUPPLY(APPROX.)	AC, 1 PH, 230V, 50 / 60 Hz				
WEIGHT (APPROX.)	320kg	640kg	960kg	1280kg	1920kg

CBU 3 (ISO CLASS 6) SPECIFICATION

SPECIFICATION \ MODEL	2718	2736	2754	5436	5454
AIR VOLUME	30m ³ /Min	60m ³ /Min	90m ³ /Min	120m ³ /Min	180m ³ /Min
HEPA FILTER QUANTITY	2	4	6	8	10
LIGHT FITTING	(40W x 1Tube)x2	(40W x 1Tube)x4	(40W x 1Tube)x6	(40W x 1Tube)x8	(40W x 1Tube)x10
POWER CONSUMPTION	APPROX. 450W	APPROX.900W	APPROX.1350W	APPROX.1800W	APPROX.2250W
POWER SUPPLY(APPROX.)	AC, 1 PH, 230V, 50 / 60 Hz				
WEIGHT (APPROX.)	240kg	480kg	720kg	960kg	1440kg

CBU 4 (ISO CLASS 7) SPECIFICATION

SPECIFICATION \ MODEL	2718	2736	2754	5436	5454
AIR VOLUME	13m ³ /Min	26m ³ /Min	39m ³ /Min	52m ³ /Min	78m ³ /Min
HEPA FILTER QUANTITY	1	2	3	4	5
LIGHT FITTING	(40W x 1Tube)x2	(40W x 1Tube)x4	(40W x 1Tube)x6	(40W x 1Tube)x8	(40W x 1Tube)x10
POWER CONSUMPTION	APPROX. 300W	APPROX.600W	APPROX.900W	APPROX.1200W	APPROX.1500W
POWER SUPPLY(APPROX.)	AC, 1 PH, 230V, 50 / 60 Hz				
WEIGHT (APPROX.)	200kg	400kg	600kg	800kg	1200kg

*Custom-built dimensions & specifications are also acceptable.

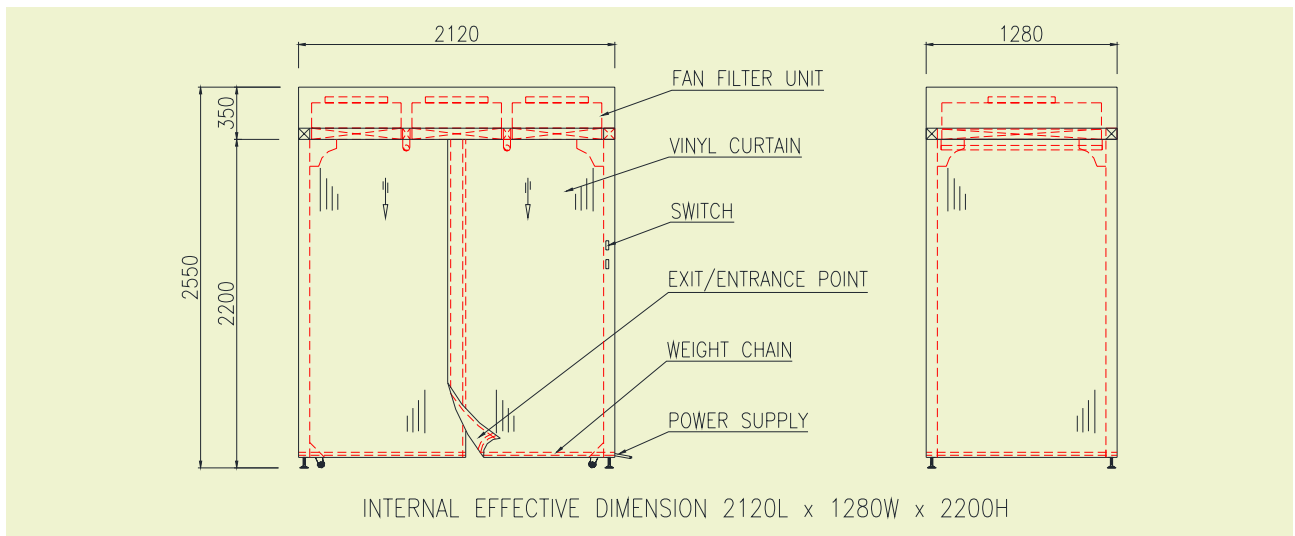
CBU-2



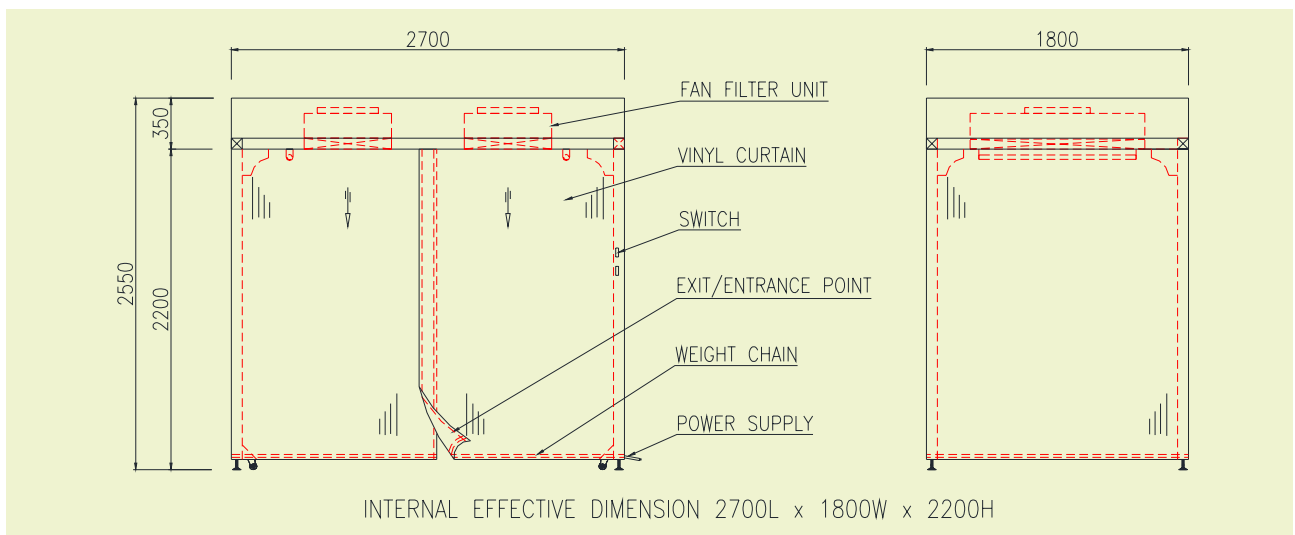
KYODO reserves the right to make changes without written notice. The actual product might differ from pictures shown. Drawings are not meant to show exact details of every aspects of the product.

CLEAN BOOTH

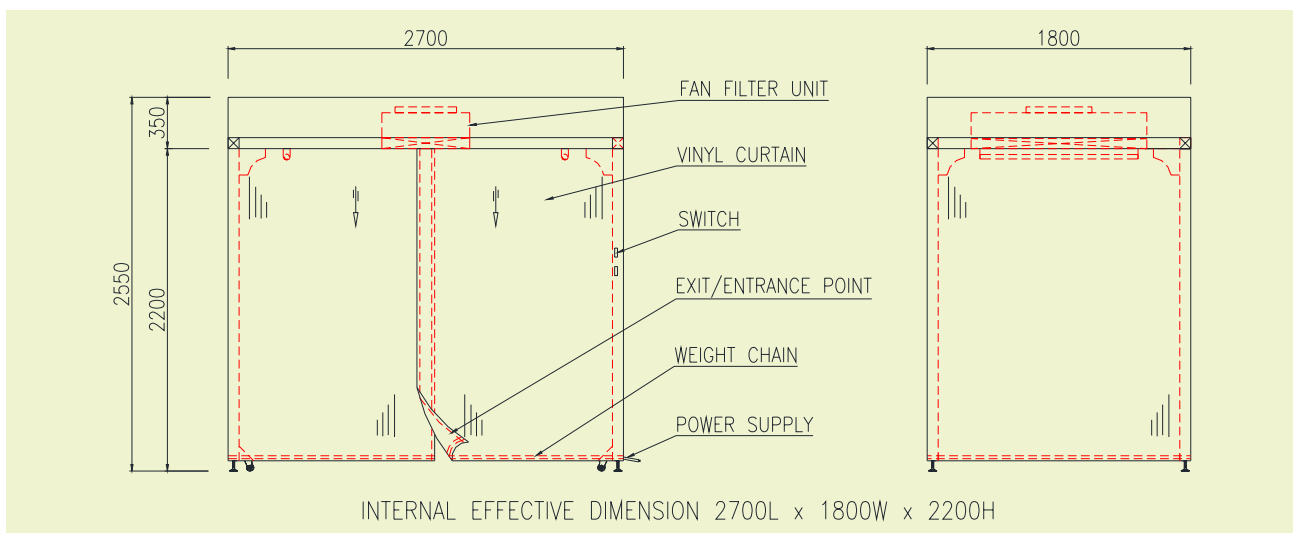
CBU 2 - 2112



CBU 3 - 2718



CBU 4 - 2718



*Drawings for other models are available upon request.

CBU-3



KYODO-ALLIED TECHNOLOGY PTE LTD

Sales Office and Factory:
8 Pandan Crescent #01-06, Singapore 128464
Tel: (65)6265-1311 Fax: (65)6265-8100
Website: www.kyodo.com.sg

KYODO-ALLIED (MALAYSIA) SDN. BHD.

K.L. Office:
Tel: (03)7958-7641 / 7958-7724
Fax: (03)7958-7614

J.B. Office:
Lot 854 Jalan Sengkang,
81000 Kulai, Johor, Malaysia
Tel: (07)6637-467-9 Fax: (07)6637-290

KYODO-ALLIED (THAILAND) CO., LTD.

Bangkok Office:
1475 Soi Ladprow 94 (Phanjamit), Ladprow Road,
Wongthonglang, Bangkok 10310, Thailand
Tel: (02)559-2790 / 559-2791
Fax: (02)559-2792

KYODO-ALLIED TRADING (SHANGHAI) CO., LTD.

Room 2509 Zhong Cheng Building,
No. 818 Dong Fang Road,
Shanghai Pudong 200122 China
Tel: (86)21-6360-7138 Fax: (86)21-6360-7137