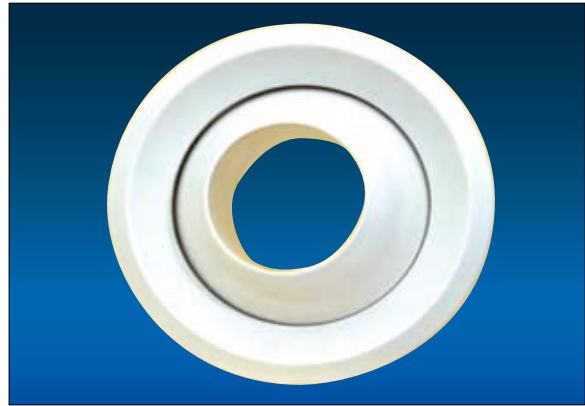


BALL JET DIFFUSER

FEATURES

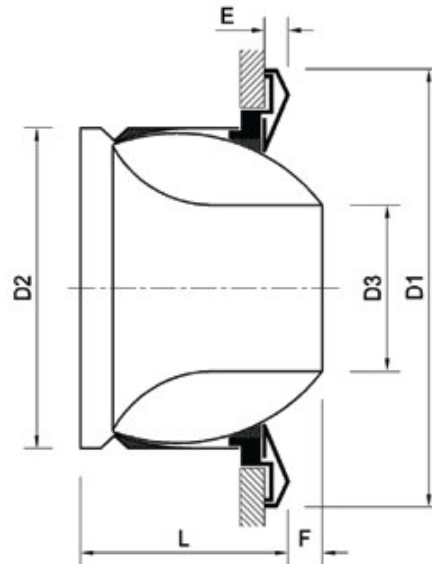
- KYODO BJ air jet diffuser provides architecturally preferred excellent appearance for large open areas such as concert hall, airport, theatre, museum & etc.
- Its nozzle type outlet is most suitable for spot cooling or heating, because its direction of air can be adjusted easily to suit one's requirement.
- The maximum up or down adjustment angle of the outlet is $\pm 30^\circ$ in any direction.
- Low noise level and low pressure drop.
- Constructed of aluminium.

MODEL: BJ



FINISH

Standard finish in baked white enamel.
Other colours are available on request.



DIMENSIONS

Size	Dia mm	D1	D2	D3	E	F	L	Opening Size
No. 6.5	Φ 160	198	158	94	16	10	106	Φ 168
No. 8	Φ 200	260	198	104	16	20	130	Φ 218
No. 10	Φ 250	304	248	134	16	23	154	Φ 263
No. 12.5	Φ 315	386	314	182	23	28	190	Φ 330
No. 16	Φ 400	488	398	230	24	40	230	Φ 415
No. 20	Φ 500	596	498	286	28	60	290	Φ 520

TECHNICAL PERFORMANCE DATA

MODEL: BJ

Size	Nozzle Velocity (m/s)	3	5	7	10	13	15	17	20
No. 6.5 Φ160	Air Volume (CMH)	75	125	175	250	325	375	425	500
	Throw (m)	4.0	6.8	9.5	13.4	17.4	20.0	22.1	25.2
	S.P. (Pa)	6	11	14	20	28	32	39	48
	NC	10	12	14	21	29	33	37	41
No. 8 Φ200	Air Volume (CMH)	95	155	215	310	400	460	520	615
	Throw (m)	4.6	7.8	10.5	15.1	19.5	22.5	25.4	30.1
	S.P. (Pa)	5	10	12	16	23	29	33	42
	NC	10	12	14	23	30	35	39	43
No. 10 Φ250	Air Volume (CMH)	155	255	360	510	660	765	865	1015
	Throw (m)	5.8	9.7	13.5	19.1	24.8	28.8	32.7	36.5
	S.P. (Pa)	5	9	11	17	24	28	33	42
	NC	11	14	19	25	33	37	40	45
No. 12.5 Φ315	Air Volume (CMH)	285	470	660	940	1220	1405	1595	1875
	Throw (m)	8.2	12.0	16.9	24.2	31.4	36.2	41.0	45.5
	S.P. (Pa)	5	8	12	20	27	33	39	48
	NC	12	20	26	35	41	45	49	54
No. 16 Φ400	Air Volume (CMH)	450	750	1050	1500	1945	2245	2545	2990
	Throw (m)	9.5	14.3	22.2	32.0	40.5	46.0	50.0	56.5
	S.P. (Pa)	4	7	11	18	26	30	38	46
	NC	14	24	31	39	47	52	54	56
No. 20 Φ500	Air Volume (CMH)	695	1160	1620	2315	3010	3470	3935	4630
	Throw (m)	10.0	16.6	23.2	33.2	41.0	48.0	52.0	58.0
	S.P. (Pa)	4	7	11	17	25	30	39	45
	NC	19	28	34	43	50	54	58	60

- Result of performance is tested under NATA, in accordance with ASHRAE STANDARD 70-2006.
- All values are tested at 0° angle of air discharge.
- SP - Static Pressure drops are in Pascals.
- NC - Noise Criterion based upon room absorption of 10 dB.
- Throw - Throw at 0.5m/s terminal velocity in metres.