

LINEAR BAR GRILLES

FEATURES

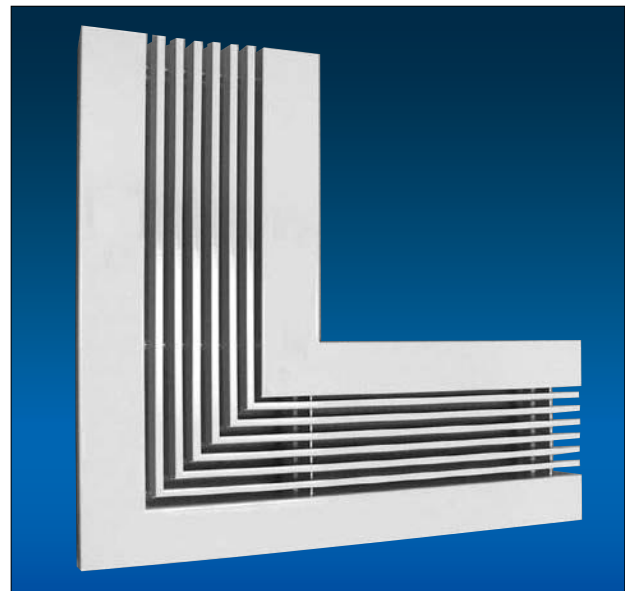
- Model : BAR or BARS (0° Deflection)
BAR-15 or BARS-15 (15° Deflection)
- Fashionable linear design for both heating and cooling applications, supply air as well as return air.
- Ceiling or sill mounting for vertical air throw pattern.
- Side wall mounting for horizontal air throw pattern.
- Fixed bar shape blades parallel to the horizontal dimension.
- Alignment Strip for continuous installation at maximum 3 metre length per section.
- Corner joint as shown is available for continuous side wall installation at wall corner.
- Maximum width up to 250mm neck size.
- Bar Spacing : 9.6mm or 12.5mm.
Bar Deflection : 0° or 15°.
- Material is extruded aluminium.

FINISH

Standard finish in natural anodizing or baked white enamel.

Other colours are available on request.

MODEL: BAR



TECHNICAL PERFORMANCE DATA

MODEL: BAR (0° DEFLECTION)

SIZE (mm)	CAP ℓ/s	40	50	60	70	80	90	100	150	200	250	300	350	400	450	500	600	700	800	900	1000			
300 x 50	S.P. NR THROW	20.5 17 4.2	31 22 5	43.5 26 5.6	57.5 30 6.2	73.5 33 6.8	91.5 36 7.2	111 40 7.8																
600 x 50	S.P. NR THROW			12 11 4	15.5 14 4.4	20 17 4.8	25 20 5.2	30 22 5.6	63 32 7.2	107 42 8.8	161 50 10													
900 x 50	S.P. NR THROW				7.5 7 3.6	9.5 9 3.8	11.5 11 4.2	14 13 4.6	29.5 16 6	50.5 23 7.2	76 36 8.4	106 43 9.4	140.5 49 10.2	179 53 11										
1200 x 50	S.P. NR THROW						7 7 3.6	8.5 9 4	17.5 16 5.2	29.5 23 6.4	44.5 28 7.4	62 34 8	82.5 39 9.8	105 44 9.8	130.5 48 10.4	158.5 52 11.2								
1500 x 50	S.P. NR THROW								11.5 13 4.6	19.5 18 6.6	29.5 23 6.6	41 27 7.4	54.5 32 8.2	69.5 37 9	86.5 41 9.6	105 45 10.2	146.5 51 11.4	194 57 12.4						
2000 x 50	S.P. NR THROW								7 9 4	11.5 14 5	17.5 18 5.8	24 21 6.6	32 24 7.2	41 28 8.4	51 31 9	61.5 35 9	86 42 10	114.5 47 11	146 52 11.8	181 56 12.6				
3000 x 50	S.P. NR THROW												9.5 9 1.6	13 14 2.2	17 19 2.6	22 22 3.2	27 29 3.6	32.5 29 4.2	45.5 34 5.2	60 43 6.2	76.5 43 7.2	94.5 48 8.2	114 52 9.2	
300 x 100	S.P. NR THROW			12 11 4	15.5 14 4.4	20 17 4.8	25 20 5.2	30 22 5.6	63.5 32 7.4	107.5 42 8.8	162 50 10													
600 x 100	S.P. NR THROW					5.5 5 3.4	7 7 3.6	8 9 4	17 16 5.2	29 23 6.4	44 28 7.4	61.5 39 8	81.5 44 9	104 48 9.8	129 44 10.4	156.5 52 11.2								
900 x 100	S.P. NR THROW								8 10 4.2	13.5 15 5.2	20.5 19 6	29 26 6.8	38.5 30 7.6	49 35 8.2	60.5 38 8.8	73.5 45 9.4	103 45 10.4	136.5 50 11.4	174 55 12.4					
1200 x 100	S.P. NR THROW								9 7 1.4	14 13 2	19 18 2.4	25.5 22 3	32 26 3.6	39.5 29 4.2	48 32 4.8	66.5 38 5.8	88 44 7	112 49 8	138.5 54 9.2	167.5 58 10.2				
1500 x 100	S.P. NR THROW								9 9 1.6	13 14 2.2	17 18 2.6	21.5 22 3.2	25.5 25 3.6	32 28 4.2	44.5 34 5.2	58.5 42 6.2	74.5 43 7.2	92.5 47 8.2	111.5 51 9					
2000 x 100	S.P. NR THROW											7.5 10 1.8	10 14 2.2	12.5 17 2.6	15.5 20 3	19 23 4.2	26.5 33 5.2	35 37 6	44.5 37 7	55 40 6.8	66.5 44 7.8			
3000 x 100	S.P. NR THROW												5 8 1.6	6 11 2	7.5 14 2.4	9 17 2.6	12.5 22 3.4	16.5 27 4	21.5 31 4.8	26.5 34 5.4	32 38 6			
300 x 150	S.P. NR THROW				7.5 7 3.6	9.5 10 3.8	12 12 4.2	14.5 13 4.6	30 23 6	51 29 7.2	76.5 37 8.4	106.5 43 9.4	141.5 49 10.2	180.5 54 11										
600 x 150	S.P. NR THROW								8 10 4.2	14 15 5.2	20.5 19 6	29 23 6.8	38.5 26 7.6	49 30 8.2	61 35 8.8	74 38 9.4	103 45 10.4	136.5 51 11.4	174.5 55 12.4					
900 x 150	S.P. NR THROW									7.5 5 1.2	11 11 1.8	15.5 16 2.2	20.5 24 2.8	26 27 3.4	32 30 3.8	38.5 36 4.4	54 41 5.4	71 45 6.6	90.5 45 7.6	111.5 50 8.6	135 54 9.6			
1200 x 150	S.P. NR THROW										6.5 7 1.4	9 11 1.8	12 15 2.4	15.5 19 2.8	19 22 3.2	23 30 3.6	32 35 4.6	42 38 5.4	53.5 38 6.4	66 42 7.4	80 46 8.2			
1500 x 150	S.P. NR THROW												6 8 1.6	8 12 2	10 15 2.4	12.5 18 2.8	15.5 21 3.2	21 26 4	28 31 4.8	35.5 34 5.6	44 38 6.4	53.5 41 7.2		

* Performance data for down throw will be furnished upon request

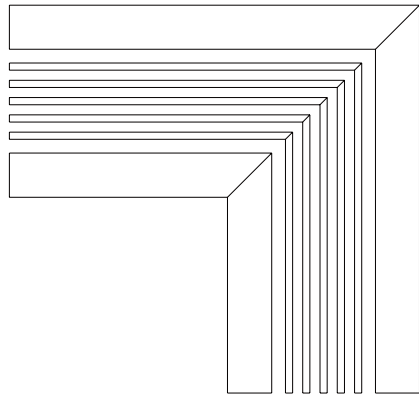
TECHNICAL PERFORMANCE DATA

MODEL: BAR (0° DEFLECTION)

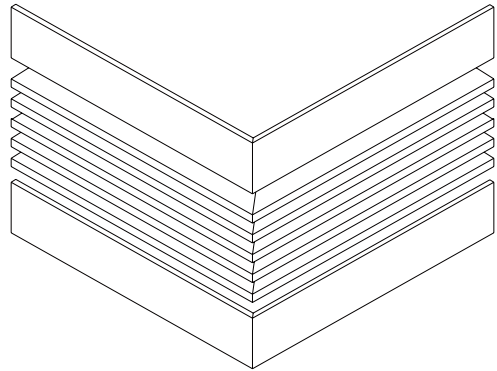
SIZE (mm)	CAP ℓ/s	40	50	60	70	80	90	100	150	200	250	300	350	400	450	500	600	700	800	900	1000	
2000 x 150	S.P. NR THROW												5 8 1.6	6 11 2	7.5 14 2.4	9 17 2.6	12.5 22 3.4	16.5 27 4	21 31 4.6	26 34 5.4	31.5 38 6	
3000 x 150	S.P. NR THROW													3 8 1.6	3.5 11 1.8	4.5 14 2.2	6 20 2.6	8 24 3.2	10 28 3.6	12.5 32 4.2	15 35 4.8	
300 x 200	S.P. NR THROW						7 8 3.6	8.5 9 4	17.5 16 5.2	30 23 6.4	45 28 7.4	62.5 34 8.2	83 39 9	106 44 9.8	132 48 10.6	160 52 11.2						
600 x 200	S.P. NR THROW									9 7 1.4	14 13 2	19 18 2	25.5 22 3.6	32 26 3	40 29 4.2	48 38 4.8	67 38 5.8	88.5 44 7	112.5 49 9.2	139 54 9.2	168 58 10.2	
900 x 200	S.P. NR THROW										6.5 7 1.4	9 11 1.8	12 15 2.4	15.5 19 2.8	19 22 3.2	23 25 3.6	32 30 4.6	42 35 5.4	53.5 38 6.4	66 42 7.4	80 46 8.2	
1200 x 200	S.P. NR THROW											5.5 7 1.6	7 11 2	9 14 2.2	11 17 2.6	13.5 20 3	19 25 3.8	25 29 4.6	31.5 33 5.4	39 36 6.2	47.5 40 7	
1500 x 200	S.P. NR THROW													5 8 1.6	6 11 2	7.5 14 2.4	9 17 2.6	12.5 22 3.4	16.5 27 4	21 31 4.6	26 34 5.4	31.5 38 6
2000 x 200	S.P. NR THROW													3.5 8 1.6	4.5 12 2	5.5 15 2.2	7.5 21 2.8	10 25 3.4	12.5 29 4	15.5 33 4.6	19 36 5	
3000 x 200	S.P. NR THROW														2 9 1.6	2.5 12 1.8	3.5 18 2.2	4.5 22 2.6	6 26 3.2	7.5 30 3.6	9 33 4	
300 x 250	S.P. NR THROW							5.5 6 3.6	11.5 13 4.6	20 18 5.8	29.5 23 6.6	41.5 27 7.4	55 37 8.2	70.5 37 9	87.5 41 9.6	106 45 10.2	148 51 11.4	196 57 12.4				
600 x 250	S.P. NR THROW										9 9 1.6	13 14 2.2	17 18 2.6	21.5 22 3.2	26.5 25 3.6	32 28 4.2	44.5 34 5.2	59 38 6.2	75 43 7.2	92.5 47 8.2	112 51 9.2	
900 x 250	S.P. NR THROW											6 8 1.6	8 12 2	10 15 2.4	12.5 18 2.8	15.5 21 3.2	21.5 26 4	28 31 4.8	35.5 34 5.6	44 38 6.4	53.5 41 7.2	
1200 x 250	S.P. NR THROW													5 8 1.6	6 11 2	7.5 14 2.4	9 17 2.6	12.5 22 3.4	16.5 27 4	21 31 4.6	26 34 5.4	31.5 38 6
1500 x 250	S.P. NR THROW													4 9 1.8	5 12 2	6 15 2.4	8.5 21 3	11 26 3.4	14 29 4	17.5 33 4.6	21 36 5.4	
2000 x 250	S.P. NR THROW													2.5 7 1.6	3 10 1.8	3.5 14 2.0	5 19 2.4	6.5 24 3	8.5 28 3.4	10.5 31 4	12.5 34 4.4	
3000 x 250	S.P. NR THROW														1.5 8 1.6	1.5 11 1.8	2.5 16 2	3 21 2.4	4 25 2.8	5 29 3.2	6 32 3.6	

- Result of performance is tested under NATA, in accordance with ADC 1062: GRD-84
- SP – Static Pressure drops are in Pascals
- NR – Noise rating in dB re 10⁻¹² watts. Room correction of -6dB (as per ADC R4)
- CAP – Capacity of flow in litre per second
- Throw – Throw at 0.5 m/s Terminal Velocity in metres

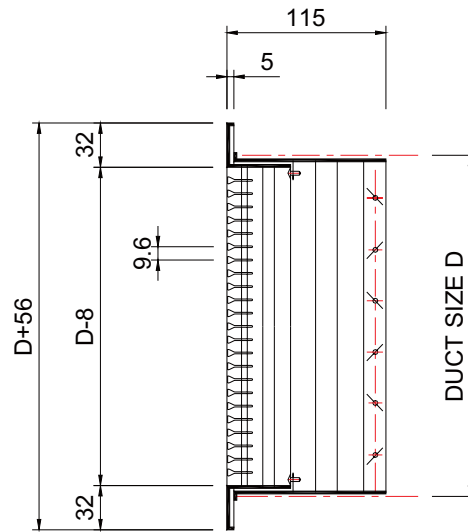
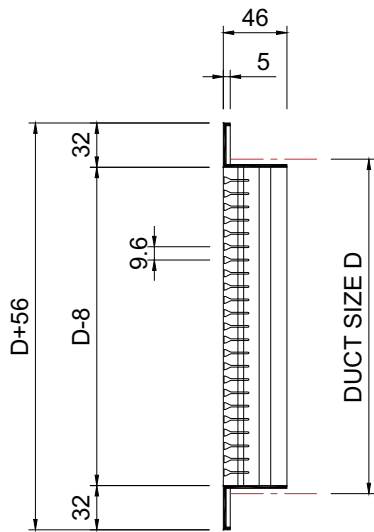
* Performance data for down throw will be furnished upon request



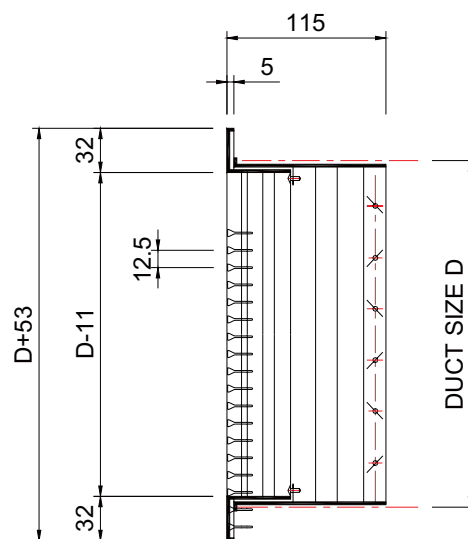
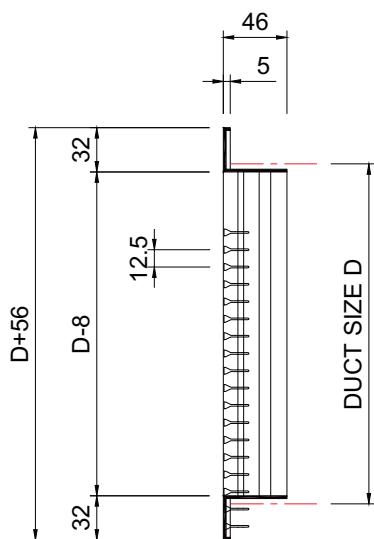
Corner Joint for Ceiling Mounting



Corner Joint for Side Wall Mounting



Pitch = 9.6 mm



Pitch = 12.5 mm