

RETURN/EXHAUST AIR GRILLE

ALUMINIUM EGG-CRATE TYPE

MODEL: AEC

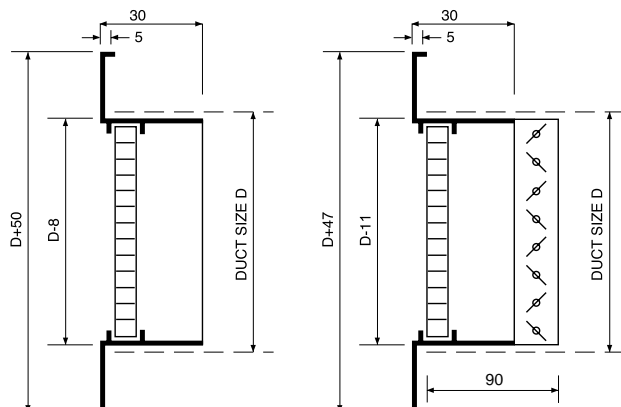
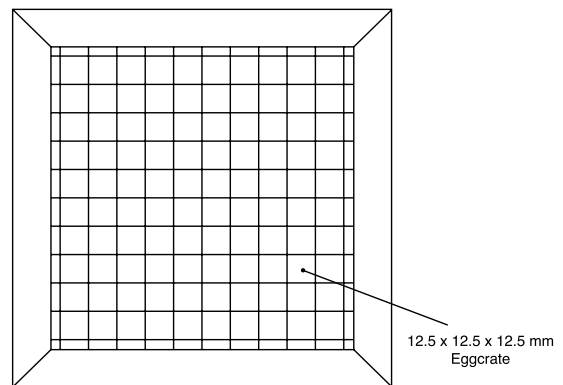
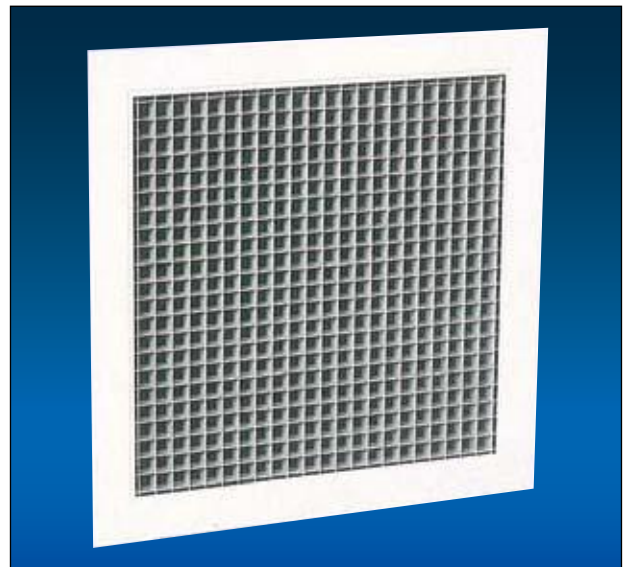
FEATURES

- KYODO series AEC is specially designed to satisfy both aesthetic and functional requirements.
- It provide maximum free area for minimum pressure drop, while still limiting see-through.
- Aluminium hollow egg crate core in 12.5 x 12.5 (mm) size.
- Material is aluminium

FINISH

Standard finish in natural anodizing or baked white enamel.

Other colours are available on request.



AEC - 1



KYODO reserves the right to make changes without written notice. The actual product might differ from pictures shown. Drawings are not meant to show exact details of every aspects of the product.

TECHNICAL PERFORMANCE DATA

MODEL: AEC

Qs (l/s)	SIZE (m ²)	0.02	0.03	0.04	0.06	0.08	0.10	0.12	0.14	0.16	0.18	0.20	0.25	0.30	0.35	0.40	0.45	0.50	0.60
40	S.P.	8	3																
	NC	<10	<10																
60	S.P.	18	6	3															
	NC	13	<10	<10															
80	S.P.	29	10	6	3														
	NC	22	11	<10	<10														
100	S.P.	49	16	9	5														
	NC	32	15	10	<10														
140	S.P.		32	18	9	5	4												
	NC		25	19	11	<10	<10												
180	S.P.		54	30	16	8	5	3											
	NC		35	27	19	11	10	<10											
220	S.P.			45	20	13	7	4	4										
	NC			34	24	17	12	13	<10										
260	S.P.			63	34	18	10	8	5	4									
	NC			37	29	22	14	16	<10	<10									
300	S.P.				40	23	13	10	7	5	3								
	NC				32	26	19	17	11	<10	<10								
340	S.P.				52	30	17	12	9	7	5								
	NC				35	31	24	19	14	11	<10								
380	S.P.				67	36	21	16	10	8	7	2							
	NC				38	34	26	22	17	13	11	<10							
420	S.P.					40	25	20	13	10	9	3							
	NC					35	29	25	21	16	14	<10	<10						
460	S.P.					51	31	24	16	13	10	6	5	4					
	NC					37	32	27	23	20	16	14	10	<10					
500	S.P.					57	36	29	18	15	12	9	7	5					
	NC					39	35	30	25	22	20	18	14	<10					
600	S.P.						53	41	27	20	16	14	10	6	4				
	NC						41	38	31	27	24	22	17	10	11				
700	S.P.							54	37	27	22	21	14	10	6	4	3		
	NC							42	36	32	29	27	21	16	13	10	<10		
800	S.P.								48	36	29	29	16	12	7	5	4	4	
	NC								40	37	34	33	25	21	16	12	10	10	
900	S.P.								61	45	37	35	18	14	9	6	5	5	3
	NC								43	40	38	38	27	25	18	14	16	12	<10
1K	S.P.									56	44	40	24	16	11	8	7	6	4
	NC									44	41	40	32	28	23	16	18	14	<10
1.1K	S.P.									69	54	48	30	21	13	10	9	7	5
	NC									46	45	44	35	32	25	18	19	16	10
1.2K	S.P.										62	56	35	26	17	11	10	9	6
	NC										47	46	37	35	28	22	21	17	12
1.3K	S.P.											67	39	38	21	15	11	10	7
	NC											50	40	38	30	24	22	20	14
1.4K	S.P.												76	45	43	27	18	13	8
	NC												52	43	39	31	26	23	16
1.5K	S.P.													54	47	33	22	15	9
	NC													45	41	32	27	25	18
1.6K	S.P.														60	51	38	26	17
	NC														48	42	34	28	20
1.7K	S.P.															71	55	45	19
	NC															50	43	36	27
1.8K	S.P.																61	50	35
	NC																46	37	28
1.9K	S.P.																	66	55
	NC																	48	40
2K	S.P.																		70
	NC																		50
2.1K	S.P.																		76
	NC																		51
2.2K	S.P.																		85
	NC																		52
2.3K	S.P.																		68
	NC																		49
2.4K	S.P.																		73
	NC																		51
2.5K	S.P.																		80
	NC																		53
2.6K	S.P.																		76
	NC																		51
3K	S.P.																		79
	NC																		52
3.4K	S.P.																		64
	NC																		50
3.8K	S.P.																		75
	NC																		54
4.2K	S.P.																		67
	NC																		51

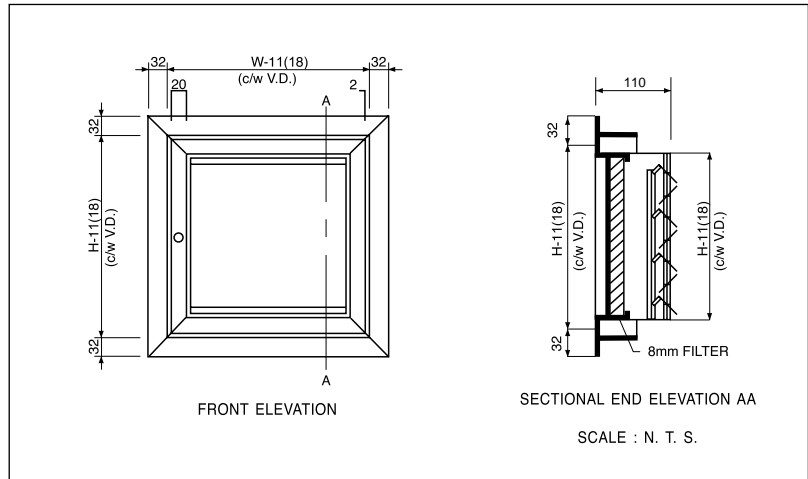
- Result of performance is tested under NATA, in accordance with ASHRAE STANDARD 70-2006.
- SP - Static Pressure drops are in Pascals.
- NC - Noise Criterion based upon room absorption of 10 dB.
- Throw - Throw at 0.5m/s terminal velocity in metres.

OPTIONAL FEATURE FOR GRILLES AND LOUVRES

A) REMOVABLE CORE

- Complete with Filter
- Complete with VCD
- Suitable for Model:
RG, AEC, H, (SLG)

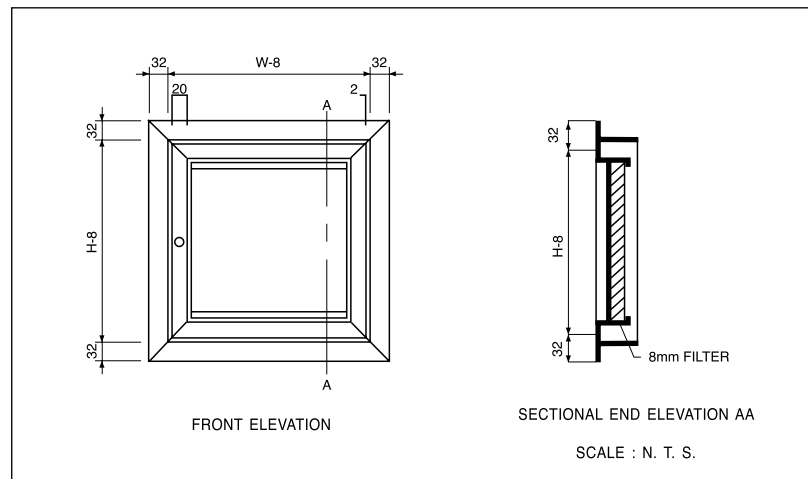
* (Knob shown is for model RG, the rest of the models are optional)



B) REMOVABLE CORE

- Complete with Filter
- Suitable for Model:
RG, SLG, AEC, H

* (Knob shown is for model RG, the rest of the models are optional)



C) REMOVABLE CORE

- Complete with VCD
- Suitable for Model:
RG, AEC, H, (SLG)

* (Knob shown is for model RG, the rest of the models are optional)

